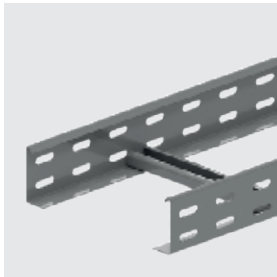
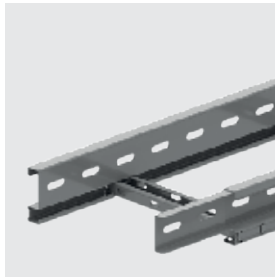


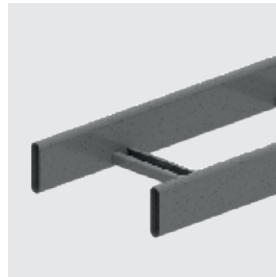
4 Cable ladders



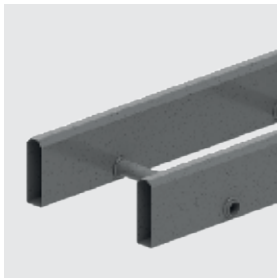
KL



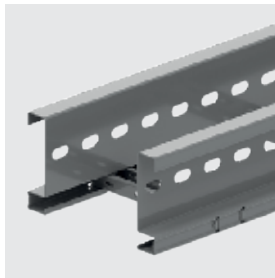
KLLI / KLL



HDKS



HDKLIE



KLM / KLZ / KLW

KL

KL		
KL60	Cable ladder	123
SKL		
SKL60	Rising cable ladder	124
COVER		
D	Universal cover	124
COVER CLAMPS		
DCL	Cover clamp clips	125
ACCESSORIES		
KLB	Horizontal bend for KL	125
HDDIB	Cover for horizontal bend 90°	125
KLT	T-Piece for KL	126
KLX	Cross-over for KL	126
KLVB	Flexible (rising / low) bend for KL	127
HDAB35.110	Stand-off bracket	127
BK	Fixing clamp	127
SLOS	Bolt-in partition	128
Joiner		
V60.200	Joiner	128
DS	Hinged joiner	129
	TECHNICAL INFORMATION	131

KLL

KLL		
KLLI60	Cable ladder interlocking ends	135
KLLI60.6	Cable ladder interlocking ends	136
KLL85	Cable ladder	137
KLL110	Cable ladder	138
KLL110.6	Cable ladder	139
COVER		
D	Universal cover	140
COVER CLAMPS		
KLLDK	Cover clamp for KLL	140
KLLABD	Distance bracket for cover KLL	140
ACCESSORIES		
KLLB	Horizontal bend for KLL	141
HDDIB	Industrial cover for bend	141
KLLB.45	Horizontal bend 45° for KLL	142
KLLT	T-piece for KLL	143
HDDIT	Cover for T-piece	143
KLLX	Cross-over for KLL	144
KLLVB	External riser for KLL	145
KLLVB.45	External riser 45° for KLL	146
KLLSB	Internal riser for KLL	147
KLLSB.45	Internal riser 45° for KLL	148
KLLVSB	Flexible (rising / low) bend for KLL	149
KLLBK	Bracket clamp for KLL	149
KLLAHV	Vertical branch hook for KLL	150
KLLAH	Horizontal branch hook for KLL	150
KLLDSH	Horizontal hinged joiner for KLL	150
KLLDSV	Vertical hinged joiner for KLL	151
KLLVS	Reducing plate for KLL	151
KLLVST	Floor Support for KLL	151
HDAB35.110	Stand-off bracket	152
DOPKLL	End cap for KLL	152
DOPKLL60.M	End cap for KLLI60 narrowed end	152
KLLKP	Joiner for KLL	153
SLOS	Bolt-in partition	153
	TECHNICAL INFORMATION	155

HDKS

HDKS		
HDKS60	Cable ladder DAVID	161
HDKSR		

HDKSR60 Cable ladder DAVID tubular rungs	162
COVER	
HDDI Industrial cover	162
COVER CLAMPS	
DAVIDKV Cover clamp for HDKS	163
ACCESSORIES	
HDKS90 Horizontal bend for HDKS	163
HDDIB Industrial cover for bend	163
HDKST T-piece for HDKS	164
HDDIT Cover for T-piece	164
HDKSX Cross-over for HDKS	165
HDKSVSB Flexible (rising / low) bend for HDKS	165
HDNL Hinged joiner for HDKS	165
HDDSKSH Horizontal hinged joiner for HDKS	166
HDVK2 Wall distance bracket for HDKS	166
HDKK Bracket clamp for HDKS	166
DOPKS End cap for HDKS(R) and I6KSF	167
SLOS Bolt in partition	167
Joiner	
HDSSU Joiner for HDKS	167
TECHNICAL INFORMATION	169
HDKLIE	
HDKLIE	
HDKLIE Industrial cable ladder	174
COVER	
HDDI Industrial cover	174
COVER CLAMPS	
DKI Cover clamp for HDKLIE	175
ACCESSORIES	
HDKLIB Horizontal bend for HDKLIE	175
HDDIB Industrial cover for horizontal bend 90°	175
HDKLIT T-piece for HDKLIE	176
HDDIT Industrial cover for T-piece	176
HDKLIX Cross-over for HDKLIE	177
HDKLIVSB Flexible (rising/low) bend for HDKLIE	177
BP Floor plate	177
HDABIE Wall support for HDKLIE	178
HDLVIRR Reducing plate right for HDKLIE	178
HDLVIRL Reducing plate left for HDKLIE	178
HDAHIE Branch off bracket for HDKLIE	179
HDDSIH Vertical hinged joiner for HDKLIE	179
HDDSIH Horizontal hinged joiner for HDKLIE	179
HDVSIE Floor support for HDKLIE	180
HDBKIE25 Bracket clamp for HDKLIE	180
HDBKIE40 Bracket clamp for HDKLIE	180
HDBKID25 Bracket clamp SLOS for HDKLIE	181
DOPKLIE End cap for HDKLIE	181
SLOS Bolt-in partition	181
Joiner	
HDLVIE Joiner for HDKLIE	182
TECHNICAL INFORMATION	183
KLM	
KLM	
KLM Cable ladder height 125	187
COVER	
ZMDIG Industrial cover	188
COVER CLAMPS	
HDDKIG Cover clamp	188
KLMZWABD Stand-off bracket for cover KLM/KLZ/KLW	188
KLM ACCESSORIES	
KLMB Horizontal bend for KLM	189
KLMT T-piece for KLM	189
KLMX Cross-over for KLM	190
KLMVB External riser for KLM	190

KLMSB	Internal riser for KLM	191
KLMVSB	Flexible (rising / low) bend for KLM	191
KLMAH	Horizontal branch hook for KLM	192
KLMAHV	Vertical branch hook for KLM	192
KLMDSH	Horizontal hinged joiner for KLM	192
KLMDSV	Vertical hinged joiner for KLM	193
KLMVST	Floor Support for KLM	193
KLMVS	Reducing plate for KLM	193
KLMZWAB	Stand-off bracket for KLM/KLZ/KLW	194
KLMZWBK	Bracket clamp	194
DOPKLM	End cap for KLM	194
KLMKP	Joiner for KLM	195
BP	Floor plate	195
SLOS	Partition	196
	TECHNICAL INFORMATION	197

KLZ

► KLZ

KLZ	Cable ladder height 150	203
-----	-------------------------	-----

► COVER

ZMDIG	Industrial cover	204
-------	------------------	-----

► COVER CLAMPS

HDDKIG	Cover clamp	204
KLMZWABD	Stand-off bracket for cover KLM/KLZ/KLW	204

► KLZ ACCESSORIES

KLZB	Horizontal bend for KLZ	205
KLZT	T-piece for KLZ	205
KLZX	Cross-over for KLZ	206
KLZVB	External riser for KLZ	206
KLZSB	Internal riser for KLZ	207
KLZVSB	Flexible (rising / low) bend for KLZ	207
KLZAH	Horizontal branch hook KLZ	208
KLZAHV	Vertical branch hook for KLZ	208
KLZDSH	Horizontal hinged joiner for KLZ	208
KLZDSV	Vertical hinged joiner for KLZ	209
KLZVST	Floor Support for KLZ	209
KLZVS	Reducing plate for KLZ	209
KLMZWAB	Stand-off bracket	210
KLMZWBK	Bracket clamp	210
DOPKLZ	End cap for KLZ	210
KLZKP	Joiner for KLZ	211
BP	Floor plate	211
SLOS	Partition	212
	TECHNICAL INFORMATION	213

KLW

► KLW

KLW	Cable ladder height 200	220
-----	-------------------------	-----

► COVER

ZMDIG	Industrial cover	221
-------	------------------	-----

► COVER CLAMPS

HDDKIG	Cover clamp	221
KLMZWABD	Distance bracket for cover	221

► KLW ACCESSORIES

KLWB	Horizontal bend for KLW	222
KLWT	T-piece for KLW	222
KLWX	Cross-over for KLW	223
KLWVB	External riser for KLW	223
KLWSB	Internal riser for KLW	224
KLWVSB	Flexible (rising / low) bend for KLW	224
KLWAH	Horizontal branch hook for KLW	225
KLWAHV	Vertical branch hook for KLW	225
KLWDSH	Horizontal hinged joiner for KLW	225
KLWDSV	Vertical hinged joiner for KLW	226
KLWVST	Floor Support for KLW	226
KLWVS	Reducing plate for KLW	226

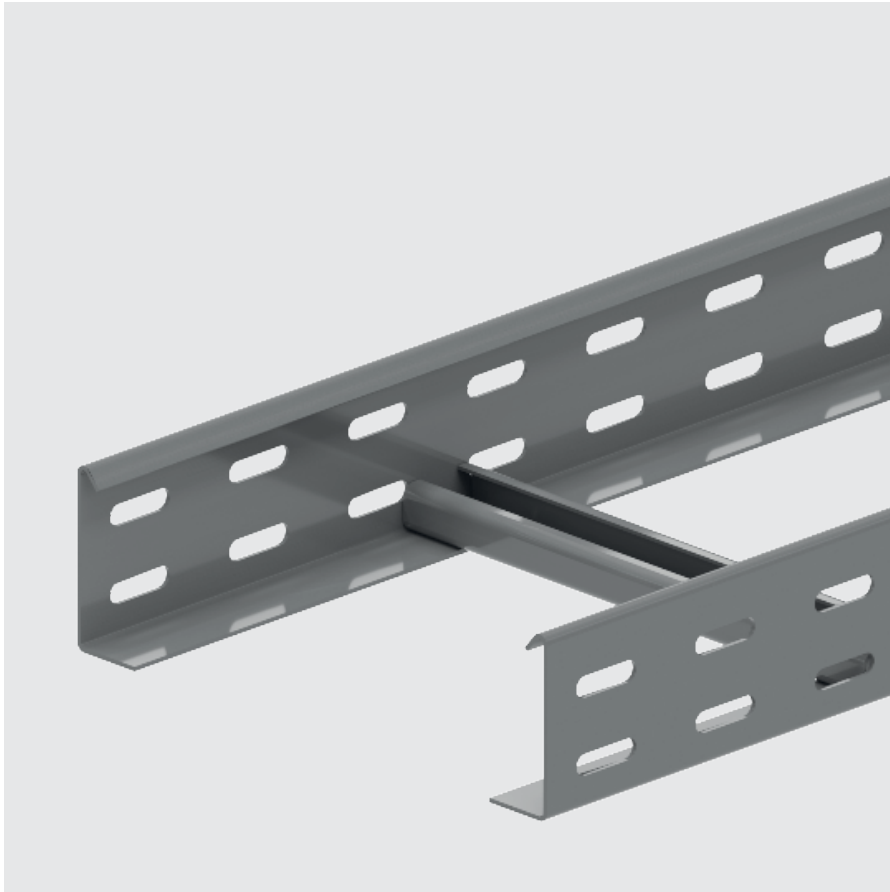
KLMZWAB	Stand-off bracket	227
KLMZWBK	Bracket clamp	227
DOPKLW	End cap for KLW	228
KLWKP	Joiner for KLW	228
BP	Floor plate	228
SLOS	Partition	229
	TECHNICAL INFORMATION	231

CABLE CLAMPS

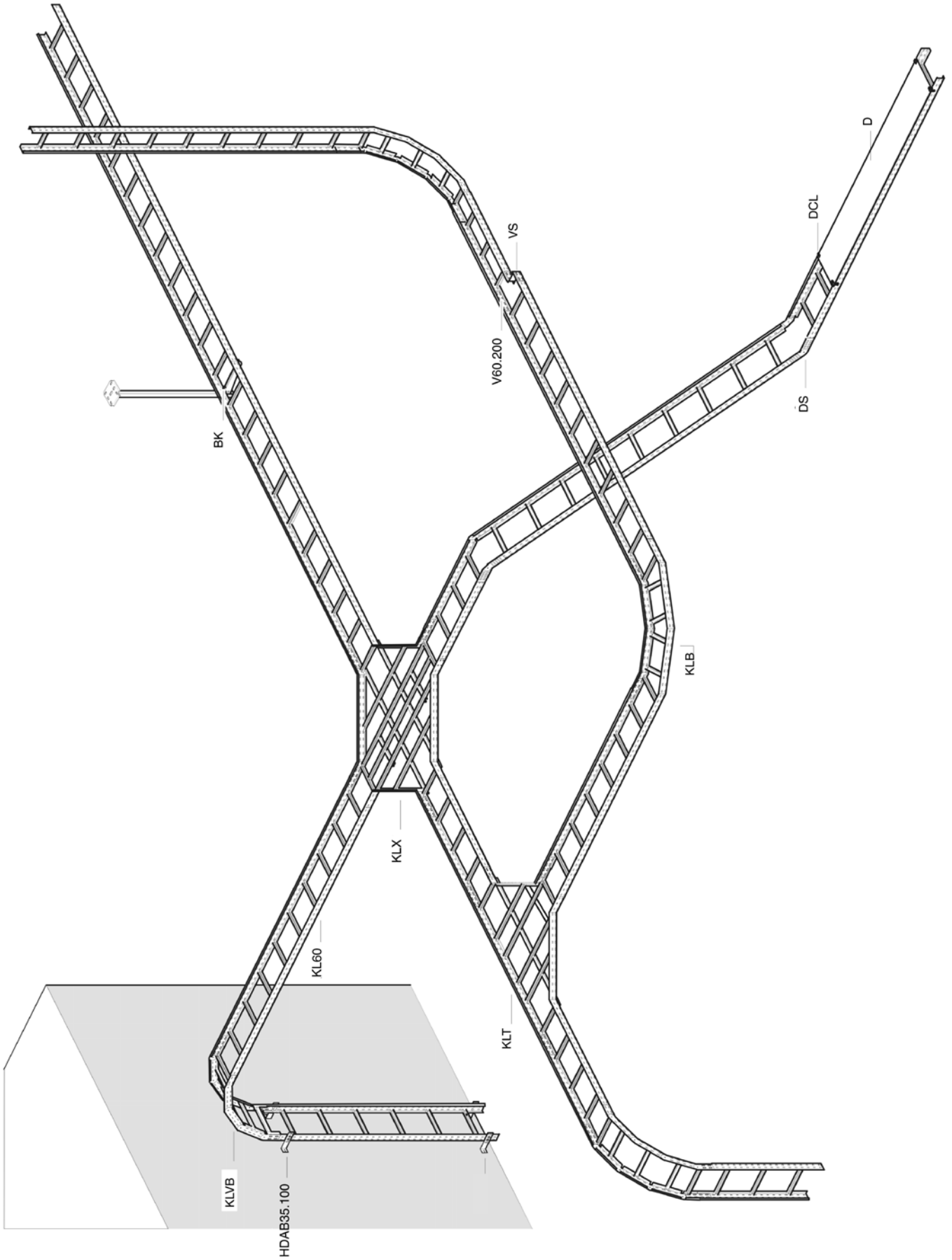
▶ **CABLE CLAMPS**

HDH1	Cable clamp	234
HDRU1	Cable clamp	234
HDH2	Cable clamp	235
HDRU2	Cable clamp	235

4 Cable ladders

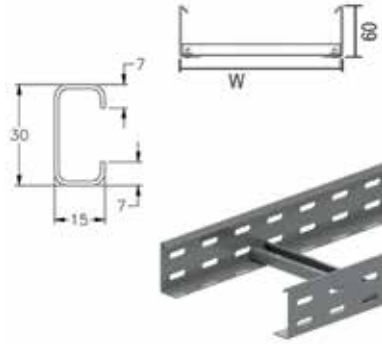


KL



KL60

Cable ladder



Side walls: perforated L-profile
C-rungs

Usable inner height	45 mm
Rung distance	300 mm
Standard finish	Pre-galvanised
Optional finish PE	Coating

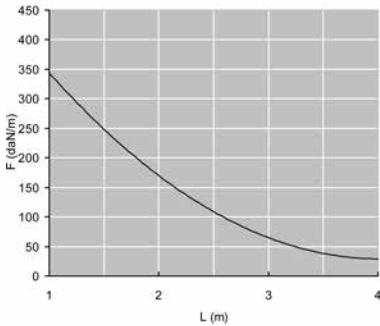
HD	Reference	↑ mm	↔ mm	↔ mm	↔ mm	kg/m	📦	Stock	Unit
-	KL60.200	60	200		3000	2.370	24	X	m
-	KL60.300	60	300		3000	2.570	24	X	m
-	KL60.400	60	400		3000	2.770	24	X	m
-	KL60.500	60	500		3000	2.970	24	X	m
-	KL60.600	60	600		3000	3.200	24	X	m

Fix with:

HD	V60.200	50	200	-	-	0.080	20	X	piece
HD	VM6.10	-	-	M6	-	0.008	100	X	piece

LOAD DIAGRAM

This diagram illustrates the permissible uniformly distributed horizontal loads applied to multiple supports. They comply with IEC 61537 par 10.3.3 test type III with connection to 1/5 of the span.



F = max. admissible load (daN/m)

L = support distance (m)

Max. deflection (m) = L/100

CHARACTERISTICS

- lightweight
- strong
- partition (SLOS35) can be fixed to the cable ladder by means of a sliding nut GM6 and pan head bolt (RB6.10)
- all accessories for cable tray height 60 mm can also be mounted on this KL cable ladder
- no further coupling holes are required if the cable ladder is cut.

TECHNICAL INFORMATION

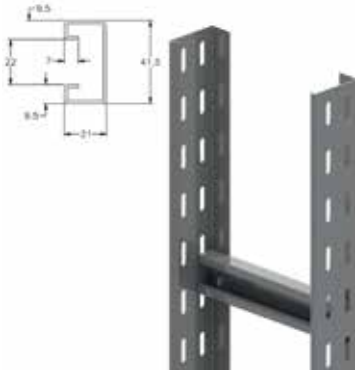
Side walls are constructed from L profile with a return flange and are continuously perforated.

C-profile rungs are fixed at 300 mm intervals.

Rungs are attached to the side walls of the cable ladder by means of cold fusion. The rung openings are directed upwards.

SKL60

Rising cable ladder



Side walls: perforated L-profile
C-rungs 41x21 mm

Usable inner height	39 mm
Rung distance	500 mm
Max. load	114 kg/rung
Standard finish	Pre-galvanised
Optional finish	Hot-dip galvanised
Optional finish PE	Coating

HD	Reference	↑ mm	↔ mm	→ ← mm	↔ mm	kg/m	📦	Stock	Unit
HD	SKL60.200	60	200		3000	2.430	24		m
HD	SKL60.300	60	300		3000	2.670	24		m
HD	SKL60.400	60	400		3000	2.930	24		m
HD	SKL60.500	60	500		3000	3.070	24		m
HD	SKL60.600	60	600		3000	3.330	24		m

Fix with:

HD	V60.200	50	200	-	-	0.080	20	X	piece
HD	VM6.10	-	-	M6	-	0.008	100	X	piece

D

Universal cover



Especially used for horizontal en vertical sections.

Standard finish	Pre-galvanised
Optional finish	zinc magnesium
Optional finish PE	Coating

HD	Reference	↑ mm	↔ mm	→ ← mm	↔ mm	kg/m	📦	Stock	Unit
-	D200	10	200		2000	1.420	20	X	m
-	D300	10	300		2000	2.100	20	X	m
-	D400	10	400		2000	4.150	20	X	m
-	D500	10	500		2000	5.000	2	X	m
-	D600	10	600		2000	5.650	2	X	m
-	ZMD050	10	50	0.60	3000	0.328	30	X	m
-	ZMD075	10	75	0.60	2000	0.445	20	X	m
-	ZMD100	10	100	0.60	2000	0.562	20	X	m
-	ZMD150	10	150	0.60	2000	0.796	20	X	m
-	ZMD200	10	200	0.60	2000	1.030	20	X	m
-	ZMD250	10	250	0.75	2000	1.580	20	X	m
-	ZMD300	10	300	0.75	2000	1.872	20	X	m
-	ZMD400	10	400	1.00	2000	2.948	20	X	m
-	ZMD500	10	500	1.00	2000	3.650	2	X	m
-	ZMD600	10	600	1.00	2000	4.352	2	X	m

Fix with:

-	DCL	-	-	-	-	0.005	100	X	piece
---	------------	---	---	---	---	-------	-----	---	-------

The technical information for this product can be found at the end of this chapter.

Covers with width > 400 mm are delivered with diagonal reinforcements.

DCL

Cover clamp clips



Number: 2 pieces per meter.

Standard finish

Spring steel

HD	Reference	↓ mm	↔ mm	↔ mm	↔ mm	kg/ piece	📦	Stock	Unit
-	DCL	-			-	0.005	100	X	piece

To order per full packaging.

KLB

Horizontal bend for KL



Radius

300 mm

Standard finish

Pre-galvanised

Optional finish

Hot-dip galvanised

Optional finish PE

Coating

HD	Reference	↓ mm	↔ mm	↔ mm	↔ mm	kg/ piece	📦	Stock	Unit
HD	KLB60.200	60	200		-	2.900	1	X	piece
HD	KLB60.300	60	300		-	3.600	1	X	piece
HD	KLB60.400	60	400		-	4.200	1	X	piece
HD	KLB60.500	60	500		-	4.600	1	X	piece
HD	KLB60.600	60	600		-	5.050	1	X	piece

Fix with:

HD	V60.200	50	200	-	-	0.080	20	X	piece
HD	VM6.10	-	-	M6	-	0.008	100	X	piece

Minimum number bolts and nuts VM6.10: 8 pieces.

HDDIB

Cover for horizontal bend 90°



Radius

300 mm

Standard finish

Hot-dip galvanised

Optional finish PE

Duplex system

Reference	↓ mm	↔ mm	↔ mm	↔ mm	kg/ piece	📦	Stock	Unit
HDDIB200	20	205		-	1.783	1	X	piece
HDDIB300	20	305		-	2.865	1	X	piece
HDDIB400	20	405		-	4.101	1	X	piece
HDDIB500	20	505		-	5.491	1	X	piece
HDDIB600	20	605		-	7.035	1	X	piece

Fix with:

-	DCL	-	-	-	-	0.005	100	X	piece
---	------------	---	---	---	---	-------	-----	---	-------

KLT

T-Piece for KL



Radius	500x45°
Standard finish	Pre-galvanised
Optional finish	Hot-dip galvanised
Optional finish PE	Coating

	200	300	400	500	600
A	1400	1500	1600	1700	1800

HD	Reference	↑ mm	↔ mm	→ ← mm	↔ mm	kg/ piece	📦	Stock	Unit
HD	KLT60.200	60	200		-	6.100	1		piece
HD	KLT60.300	60	300		-	7.000	1		piece
HD	KLT60.400	60	400		-	8.150	1		piece
HD	KLT60.500	60	500		-	9.150	1		piece
HD	KLT60.600	60	600		-	10.150	1		piece

Fix with:									
HD	V60.200	50	200	-	-	0.080	20	X	piece
HD	VM6.10	-	-	M6	-	0.008	100	X	piece

Minimum number bolts and nuts VM6.10: 12 pieces.

KLX

Cross-over for KL



Radius	500x45°
Standard finish	Pre-galvanised
Optional finish	Hot-dip galvanised
Optional finish PE	Coating

	200	300	400	500	600
A	1400	1500	1600	1700	1800

HD	Reference	↑ mm	↔ mm	→ ← mm	↔ mm	kg/ piece	📦	Stock	Unit
HD	KLX60.200	60	200		-	8.200	1		piece
HD	KLX60.300	60	300		-	8.900	1		piece
HD	KLX60.400	60	400		-	9.800	1		piece
HD	KLX60.500	60	500		-	10.800	1		piece
HD	KLX60.600	60	600		-	11.400	1		piece

Fix with:									
HD	V60.200	50	200	-	-	0.080	20	X	piece
HD	VM6.10	-	-	M6	-	0.008	100	X	piece

Minimum number bolts and nuts VM6.10: 16 pieces.

KLVB

Flexible (rising / low) bend for KL



Radius	670mm
Standard finish	Pre-galvanised
Optional finish	Hot-dip galvanised
Optional finish PE	Coating

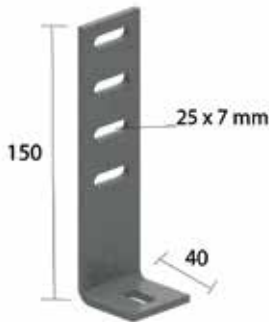
HD	Reference	↑ mm	↔ mm	↔ ← mm	↔↔ mm	kg/ piece	📦	Stock	Unit
HD	KLVB60.200	60	200		-	3.700	1		piece
HD	KLVB60.300	60	300		-	4.000	1		piece
HD	KLVB60.400	60	400		-	4.200	1		piece
HD	KLVB60.500	60	500		-	4.600	1		piece
HD	KLVB60.600	60	600		-	4.900	1		piece

Fix with:									
HD	V60.200	50	200	-	-	0.080	20	X	piece
HD	VM6.10	-	-	M6	-	0.008	100	X	piece

Minimum number bolts and nuts VM6.10: 8 pieces.

HDAB35.110

Stand-off bracket



Used for vertical mounting of the cable ladder.

Standard finish	Hot-dip galvanised
Optional finish PE	Duplex system

HD	Reference	↑ mm	↔ mm	↔ ← mm	↔↔ mm	kg/ piece	📦	Stock	Unit
	HDAB35.110	150	40		-	0.210	20	X	piece
Fix with:									
-	HDVM6.20	-	-	M6	20	0.009	100	X	piece

To order per full packaging.

BK

Fixing clamp



For fixing the cable ladder on the support bracket.

Standard finish	Pre-galvanised
Optional finish	Hot-dip galvanised
Optional finish PE	Coating

HD	Reference	↑ mm	↔ mm	↔ ← mm	↔↔ mm	kg/ piece	📦	Stock	Unit
HD	BK	-			-	0.020	50	X	piece

To order per full packaging.
Bolt B6.20, nut RM6 and VFKG30 included.
Two pieces per bracket.

SLOS

Bolt-in partition



Standard finish

Pre-galvanised

Optional finish

zinc magnesium

Optional finish PE

Coating

ZM	Reference	↑ mm	↔ mm	→ ← mm	↔ mm	kg/m	📦	Stock	Unit
ZM	SLOS35	28			3000	0.330	150	X	m
ZM	SLOS60	53			3000	0.511	120	X	m
ZM	SLOS85	78			3000	0.680	60	X	m
ZM	SLOS110	103			3000	0.820	30	X	m

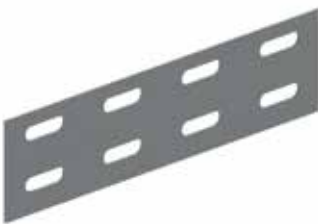
Fix with:

HD	RB6.10	-	-	M6	10	0.004	100		piece
HD	VM6.10	-	-	M6	10	0.008	100	X	piece
HD	VMK6.10	-	-	M6	-	0.009	100	X	piece

Fixing set: 1 per meter.

V60.200

Joiner



Standard finish

Pre-galvanised

Optional finish

Hot-dip galvanised

Optional finish PE

Coating

HD	Reference	↑ mm	↔ mm	→ ← mm	↔ mm	kg/ piece	📦	Stock	Unit
HD	V60.200	50	200		-	0.080	20	X	piece

Fix with:

HD	VM6.10	-	-	M6	10	0.008	100	X	piece
----	---------------	---	---	----	----	-------	-----	---	-------

To order per full packaging.

Minimum number bolts and nuts: 4 pieces.

DS

Hinged joiner



Standard finish

Pre-galvanised

Optional finish

zinc magnesium

Optional finish PE

Coating

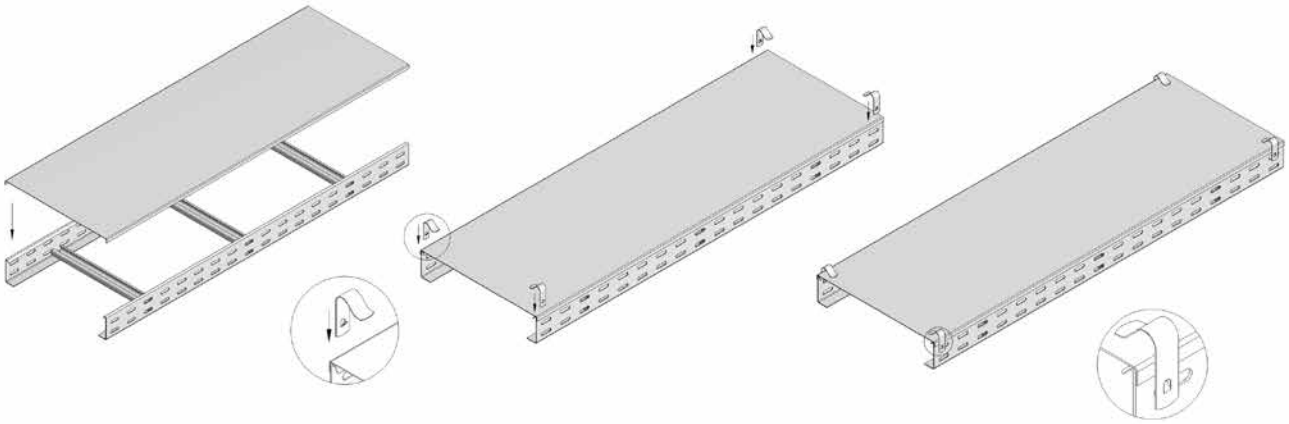
HD	Reference	↓ mm	↔ mm	→ ← mm	↔ mm	kg/ piece	📦	Stock	Unit
-	DS60	60			-	0.130	20	X	piece
-	ZMDS60	60			-	0.130	20	X	piece
Fix with:									
HD	VM6.10	-	-	M6	10	0.008	100	X	piece

To order per full packaging.

Minimum number bolts and nuts: 4 pieces.

D

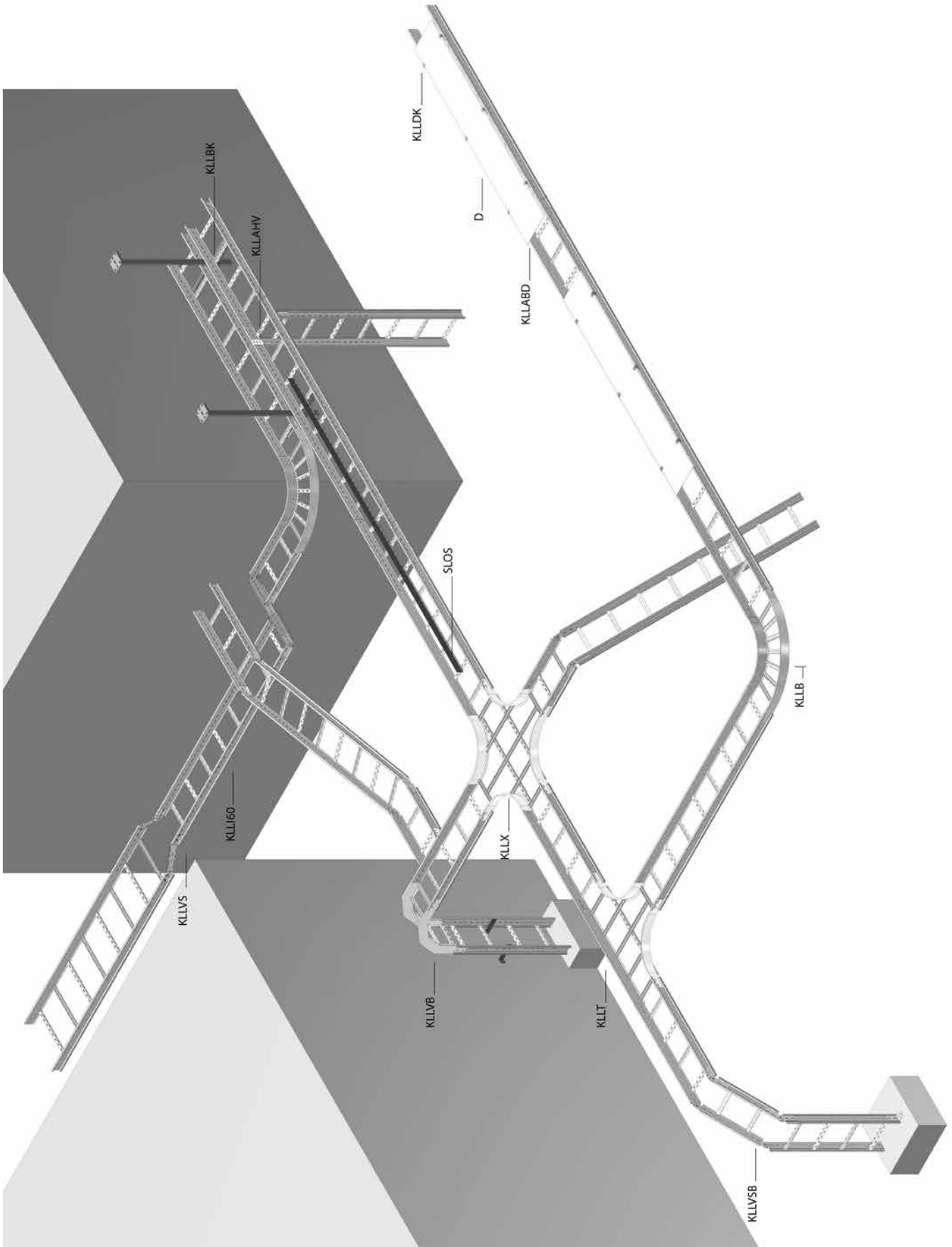
Technical information



4 Cable ladders

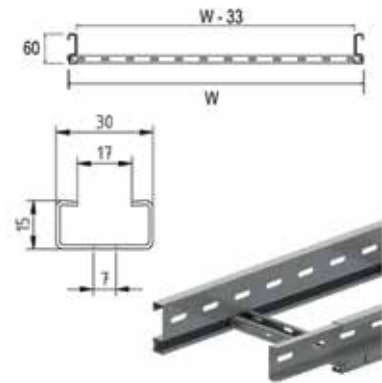


KLLI - KLL



KLLI60

Cable ladder interlocking ends



Side walls: perforated S-profile
Perforated C rungs 15x30

Usable inner height	44 mm
Rung distance	250 mm
Standard finish	Pre-galvanised
Optional finish	zinc magnesium
Optional finish PE	Coating

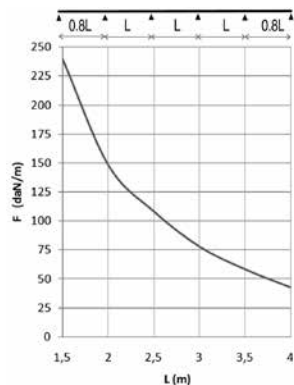
ZM	Reference	↑ mm	↔ mm	↔ mm	↔ mm	kg/m	📦	Stock	Unit
ZM	KLLI60.150	60	150	1.00	3000	2.142	30	X	m
ZM	KLLI60.200	60	200	1.00	3000	2.261	30	X	m
ZM	KLLI60.300	60	300	1.00	3000	2.499	30	X	m
ZM	KLLI60.400	60	400	1.00	3000	2.736	30	X	m
ZM	KLLI60.450	60	450	1.00	3000	2.855	30	X	m
ZM	KLLI60.500	60	500	1.00	3000	2.974	30	X	m
ZM	KLLI60.600	60	600	1.00	3000	3.212	30	X	m
ZM	KLLI60.750	60	750	1.00	3000	3.569	30	X	m
ZM	KLLI60.800	60	800	1.00	3000	3.687	30	X	m
ZM	KLLI60.900	60	900	1.00	3000	3.925	30	X	m

Fix with:

HD	VM6.10	-	-	M6	10	0.008	100	X	piece
HD	VMK6.10	-	-	M6	-	0.009	100	X	piece

LOAD DIAGRAM

This diagram illustrates the permissible uniformly distributed horizontal loads applied to multiple supports. They comply with IEC 61537 with connection in the centre of the span and the end span = 0,8x the span.



F = max. admissible load (daN/m)

L = support distance (m)

Max. deflection (m) = L/100

CHARACTERISTICS

- lightweight
- strong
- interlocking
- partition (SLOS35) can be fixed to the cable ladder with a sliding nut (GM6) and pan head bolt (RB6.10)
- no further coupling holes are required if the cable ladder is cut
- use joiners (KLLKP60) and bolts (VM6.10) to join the cut lengths of cable ladder
- no joiners are required to attach accessories such as bends, tees etc.
- rungs are perforated to enable efficient attachment of cables.

TECHNICAL INFORMATION

Side walls are constructed from S profile with a return flange and are continuously perforated.

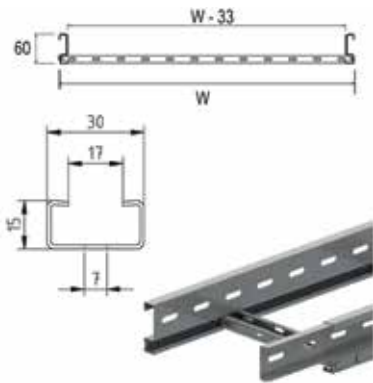
C-profile rungs are fixed at 250 mm intervals.

Rungs are mechanically attached to the side wall of the cable ladder.

Rungs are alternately placed with openings upwards and downwards.

KLLI60.6

Cable ladder interlocking ends



Side walls: perforated S-profile
Perforated C rungs 15x30

Usable inner height	44 mm
Rung distance	250 mm
Standard finish	Pre-galvanised
Optional finish	zinc magnesium
Optional finish PE	Coating

ZM	Reference	↑ mm	↔ mm	→ ← mm	↔ mm	kg/m	📦	Stock	Unit
ZM	KLLI60.150.6	60	150	1.00	6000	2.142	30		m
ZM	KLLI60.200.6	60	200	1.00	6000	2.261	30		m
ZM	KLLI60.300.6	60	300	1.00	6000	2.499	30		m
ZM	KLLI60.400.6	60	400	1.00	6000	2.736	30		m
ZM	KLLI60.500.6	60	500	1.00	6000	2.974	30		m
ZM	KLLI60.600.6	60	600	1.00	6000	3.212	30		m
ZM	KLLI60.800.6	60	800	1.00	6000	3.687	30		m

Fix with:

HD	VM6.10	-	-	M6	10	0.008	100	X	piece
HD	VMK6.10	-	-	M6	-	0.009	100	X	piece

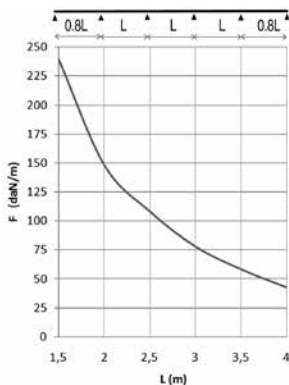
LOAD DIAGRAM

This diagram illustrates the permissible uniformly distributed horizontal loads applied to multiple supports. They comply with IEC 61537 with connection in the centre of the span and the end span = 0,8x the span.

F = max. admissible load (daN/m)

L = support distance (m)

Max. deflection (m) = L/100



CHARACTERISTICS

- lightweight
- strong
- interlocking
- partition (SLOS35) can be fixed to the cable ladder with a sliding nut (GM6) and pan head bolt (RB6.10)
- no further coupling holes are required if the cable ladder is cut
- use joiners (KLLKP60) and bolts (VM6.10) to join the cut lengths of cable ladder
- no joiners are required to attach accessories such as bends, tees etc.
- rungs are perforated to enable efficient attachment of cables.

TECHNICAL INFORMATION

Side walls are constructed from S profile with a return flange and are continuously perforated.

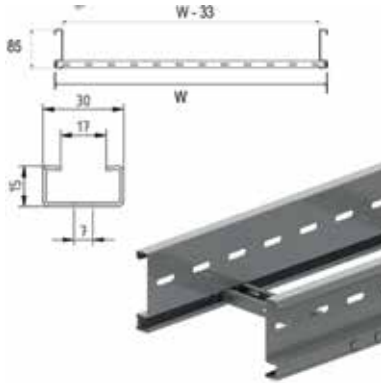
C-profile rungs are fixed at 250 mm intervals.

Rungs are mechanically attached to the side wall of the cable ladder.

Rungs are alternately placed with openings upwards and downwards.

KLL85

Cable ladder



Side walls: perforated S-profile
Perforated C rungs 15x30

Usable inner height	69 mm
Rung distance	250 mm
To order	length 6000 mm
Standard finish	Pre-galvanised
Optional finish	zinc magnesium
Optional finish PE	Coating

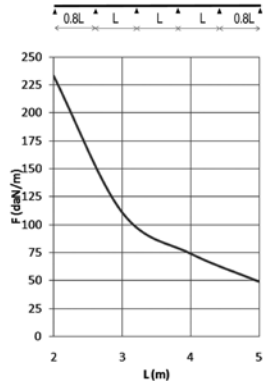
ZM	Reference	↑ mm	↔ mm	↔ mm	↔ mm	kg/m	Stock	Unit
ZM	KLL85.150	85	150	1.00	3000	2.536	24	m
ZM	KLL85.200	85	200	1.00	3000	2.687	24	m
ZM	KLL85.300	85	300	1.00	3000	2.925	24	m
ZM	KLL85.400	85	400	1.00	3000	3.162	24	m
ZM	KLL85.450	85	450	1.00	3000	3.292	24	m
ZM	KLL85.500	85	500	1.00	3000	3.400	24	m
ZM	KLL85.600	85	600	1.00	3000	3.638	24	m
ZM	KLL85.750	85	750	1.00	3000	4.012	24	m
ZM	KLL85.800	85	800	1.00	3000	4.113	24	m
ZM	KLL85.900	85	900	1.00	3000	4.372	24	m

Fix with:

HD	KLLKP85	65	13	-	-	0.165	12	piece
HD	VM6.10	-	-	M6	-	0.008	100	X piece

LOAD DIAGRAM

This diagram illustrates the permissible uniformly distributed horizontal loads applied to multiple supports. They comply with IEC 61537 with connection in the centre of the span and the end span = 0,8x the span.



F = max. admissible load (daN/m)
L = support distance (m)
Max. deflection (m) = L/100

CHARACTERISTICS

- lightweight
- strong
- partition (SLOS60) can be fixed to the cable ladder with a sliding nut (GM6) and pan head bolt (RB6.10)
- no further coupling holes are required if the cable ladder is cut.
- rungs are perforated to enable efficient attachment of cables.

TECHNICAL INFORMATION

Side walls are constructed from S profile with a return flange and are continuously perforated.

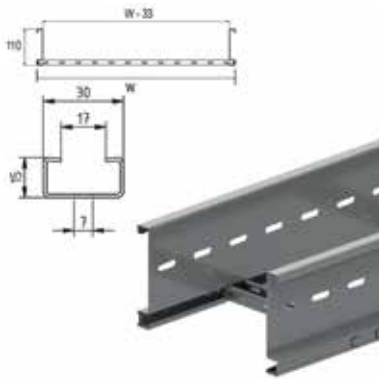
C-profile rungs are fixed at 250 mm intervals.

Rungs are mechanically attached to the side wall of the cable ladder.

Rungs are alternately placed with openings upwards and downwards.

KLL110

Cable ladder



Side walls: perforated S-profile
Perforated C rungs 15x30

Usable inner height	94 mm
Rung distance	250 mm
Standard finish	Pre-galvanised
Optional finish	zinc magnesium
Optional finish PE	Coating

ZM	Reference	↑ mm	↔ mm	→ ← mm	↔ mm	kg/m	📦	Stock	Unit
ZM	KLL110.150	110	150	1.25	3000	3.548	18		m
ZM	KLL110.200	110	200	1.25	3000	3.699	18		m
ZM	KLL110.300	110	300	1.25	3000	3.937	18		m
ZM	KLL110.400	110	400	1.25	3000	4.174	18		m
ZM	KLL110.450	110	450	1.25	3000	4.304	18		m
ZM	KLL110.500	110	500	1.25	3000	4.412	18		m
ZM	KLL110.600	110	600	1.25	3000	4.650	18		m
ZM	KLL110.750	110	750	1.25	3000	5.024	18		m
ZM	KLL110.800	110	800	1.25	3000	5.125	18		m
ZM	KLL110.900	110	900	1.25	3000	5.384	18		m

Fix with:

HD	VM6.10	-	-	M6	-	0.008	100	X	piece
HD	KLLKP110	89	13	-	-	0.500	12		piece

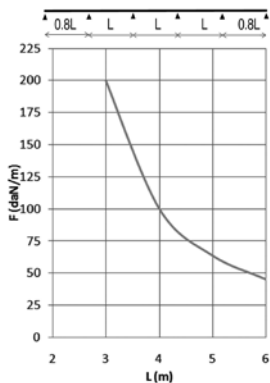
LOAD DIAGRAM

This diagram illustrates the permissible uniformly distributed horizontal loads applied to multiple supports. They comply with IEC 61537 with connection in the centre of the span and the end span = 0,8x the span.

F = max. admissible load (daN/m)

L = support distance (m)

Max. deflection (m) = L/100



CHARACTERISTICS

- lightweight
- strong
- partition (SLOS85) can be fixed to the cable ladder with a sliding nut (GM6) and pan head bolt (RB6.10)
- no further coupling holes are required if the cable ladder is cut.
- rungs are perforated to enable efficient attachment of cables.

TECHNICAL INFORMATION

Side walls are constructed from S profile with a return flange and are continuously perforated.

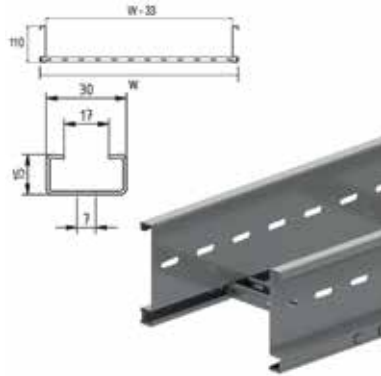
C-profile rungs are fixed at 250 mm intervals.

Rungs are mechanically attached to the side wall of the cable ladder.

Rungs are alternately placed with openings upwards and downwards.

KLL110.6

Cable ladder



Side walls: perforated S-profile
Perforated C rungs 15x30

Usable inner height	94 mm
Rung distance	250 mm
Standard finish	Pre-galvanised
Optional finish	zinc magnesium
Optional finish PE	Coating

ZM	Reference	↑	↔	↔	↔	kg/m	⊞	Stock	Unit
		mm	mm	mm	mm				
ZM	KLL110.200.6	110	200	1.25	6000	3.699	36		m
ZM	KLL110.300.6	110	300	1.25	6000	3.937	36		m
ZM	KLL110.400.6	110	400	1.25	6000	4.174	36		m
ZM	KLL110.500.6	110	500	1.25	6000	4.412	36		m
ZM	KLL110.600.6	110	600	1.25	6000	4.650	36		m

Fix with:

HD	VM6.10	-	-	M6	-	0.008	100	X	piece
-	HDKLLKP110	89	13	-	-	0.500	12		piece

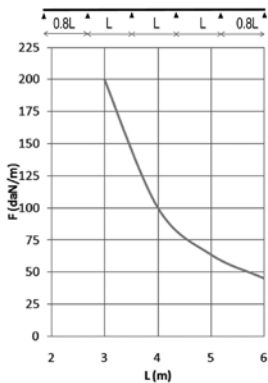
LOAD DIAGRAM

This diagram illustrates the permissible uniformly distributed horizontal loads applied to multiple supports. They comply with IEC 61537 with connection in the centre of the span and the end span = 0,8x the span.

F = max. admissible load (daN/m)

L = support distance (m)

Max. deflection (m) = L/100



CHARACTERISTICS

- lightweight
- strong
- partition (SLOS85) can be fixed to the cable ladder with a sliding nut (GM6) and pan head bolt (RB6.10)
- no further coupling holes are required if the cable ladder is cut.
- rungs are perforated to enable efficient attachment of cables.

TECHNICAL INFORMATION

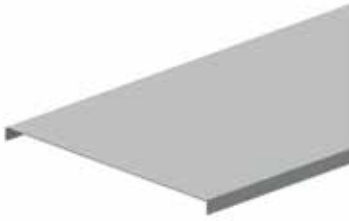
Side walls are constructed from S profile with a return flange and are continuously perforated.

C-profile rungs are fixed at 250 mm intervals.

Rungs are mechanically attached to the side wall of the cable ladder.

Rungs are alternately placed with openings upwards and downwards.

D Universal cover



Standard finish	Pre-galvanised
Optional finish	zinc magnesium
Optional finish PE	Coating

ZM	Reference	↑ mm	↔ mm	→ ← mm	↔ mm	kg/m	📦	Stock	Unit
ZM D150		10	150	0.60	2000	1.170	20	X	m
ZM D200		10	200	0.60	2000	1.420	20	X	m
ZM D300		10	300	0.75	2000	2.100	20	X	m
ZM D400		10	400	1.00	2000	4.150	20	X	m
ZM D500		10	500	1.00	2000	5.000	2	X	m
ZM D600		10	600	1.00	2000	5.650	2	X	m
Fix with:									
HD KLLDK		20	20	-	-	0.024	20		piece

Covers with width > 400 mm are delivered with diagonal reinforcements.

KLLDK Cover clamp for KLL



Number: 2 pieces per meter.

Standard finish	Pre-galvanised
Optional finish	Hot-dip galvanised
Optional finish PE	Coating

HD	Reference	↑ mm	↔ mm	→ ← mm	↔ mm	kg/ piece	📦	Stock	Unit
HD KLLDK		20	20		-	0.024	20		piece

The technical information for this product can be found at the end of this chapter.

To order per full packaging.
Included: Bolt B6.20

KLLABD Distance bracket for cover KLL



Used for ventilating the cover.
Number: 2 pieces per meter.

Standard finish	Pre-galvanised
Optional finish	Hot-dip galvanised
Optional finish PE	Coating

HD	Reference	↑ mm	↔ mm	→ ← mm	↔ mm	kg/ piece	📦	Stock	Unit
HD KLLABD		90	60		19	0.100	4		piece
Fix with:									
HD VM6.10		-	-	M6	10	0.008	100	X	piece

The technical information for this product can be found at the end of this chapter.

To order per full packaging.

Can be used for heights: 60 - 85 - 110 mm.

KLLB

Horizontal bend for KLL



Radius	300 mm
Standard finish	Pre-galvanised
Optional finish	Hot-dip galvanised
Optional finish PE	Coating

HD	Reference	↑ mm	↔ mm	↔ mm	↔ mm	kg/ piece	📦	Stock	Unit
HD	KLLB60.150	60	141		-	1.659	1		piece
HD	KLLB60.200	60	191		-	1.898	1		piece
HD	KLLB60.300	60	291		-	2.375	1		piece
HD	KLLB60.400	60	391		-	2.852	1		piece
HD	KLLB60.450	60	443		-	3.091	1		piece
HD	KLLB60.500	60	491		-	3.329	1		piece
HD	KLLB60.600	60	591		-	3.806	1		piece
HD	KLLB85.150	85	145		-	2.053	1		piece
HD	KLLB85.200	85	195		-	2.378	1		piece
HD	KLLB85.300	85	295		-	2.897	1		piece
HD	KLLB85.400	85	395		-	3.415	1		piece
HD	KLLB85.450	85	445		-	3.675	1		piece
HD	KLLB85.500	85	495		-	3.934	1		piece
HD	KLLB85.600	85	595		-	4.453	1		piece
HD	KLLB110.150	110	145		-	3.065	1		piece
HD	KLLB110.200	110	195		-	2.826	1		piece
HD	KLLB110.300	110	295		-	3.384	1		piece
HD	KLLB110.400	110	395		-	3.940	1		piece
HD	KLLB110.450	110	445		-	4.219	1		piece
HD	KLLB110.500	110	495		-	4.498	1		piece
HD	KLLB110.600	110	595		-	5.055	1		piece

Fix with:

HD	VM6.10	-	-	M6	10	0.008	100	X	piece
----	---------------	---	---	----	----	-------	-----	---	-------

Minimum number bolts and nuts VM6.10: 8 pieces.

HDDIB

Industrial cover for bend



Radius	300 mm
Standard finish	Hot-dip galvanised
Optional finish PE	Duplex system

	Reference	↑ mm	↔ mm	↔ mm	↔ mm	kg/ piece	📦	Stock	Unit
	HDDIB200	20	205		-	1.783	1	X	piece
	HDDIB300	20	305		-	2.865	1	X	piece
	HDDIB400	20	405		-	4.101	1	X	piece
	HDDIB500	20	505		-	5.491	1	X	piece
	HDDIB600	20	605		-	7.035	1	X	piece

KLLB.45

Horizontal bend 45° for KLL



Radius	300 mm
Standard finish	Pre-galvanised
Optional finish	Hot-dip galvanised
Optional finish PE	Coating

HD	Reference	↕ mm	↔ mm	↔ mm	↔ mm	kg/ piece	📦	Stock	Unit
HD	KLLB60.150.45	60	143		-	1.244	1		piece
HD	KLLB60.200.45	60	193		-	1.424	1		piece
HD	KLLB60.300.45	60	293		-	1.781	1		piece
HD	KLLB60.400.45	60	393		-	2.139	1		piece
HD	KLLB60.450.45	60	443		-	2.318	1		piece
HD	KLLB60.500.45	60	493		-	2.497	1		piece
HD	KLLB60.600.45	60	593		-	2.855	1		piece
HD	KLLB85.150.45	85	145		-	1.540	1		piece
HD	KLLB85.200.45	85	195		-	1.784	1		piece
HD	KLLB85.300.45	85	295		-	2.173	1		piece
HD	KLLB85.400.45	85	395		-	2.561	1		piece
HD	KLLB85.450.45	85	445		-	2.756	1		piece
HD	KLLB85.500.45	85	495		-	2.951	1		piece
HD	KLLB85.600.45	85	595		-	3.340	1		piece
HD	KLLB110.150.45	110	145		-	2.299	1		piece
HD	KLLB110.200.45	110	195		-	2.120	1		piece
HD	KLLB110.300.45	110	295		-	2.538	1		piece
HD	KLLB110.400.45	110	395		-	2.955	1		piece
HD	KLLB110.450.45	110	445		-	3.164	1		piece
HD	KLLB110.500.45	110	495		-	3.374	1		piece
HD	KLLB110.600.45	110	595		-	3.791	1		piece

Fix with:									
HD	VM6.10	-	-	M6	10	0.008	100	X	piece

Minimum number bolts and nuts VM6.10: 8 pieces.

KLLT

T-piece for KLL



Radius	300 mm
Standard finish	Pre-galvanised
Optional finish	Hot-dip galvanised
Optional finish PE	Coating

	150	200	300	400	500	600
A	1021	1071	1171	1271	1371	1471

HD	Reference	↓ mm	↔ mm	↔ mm	↔ mm	kg/ piece	📦	Stock	Unit
HD	KLLT60.150	60	141		-	2.229	1		piece
HD	KLLT60.200	60	191		-	2.821	1		piece
HD	KLLT60.300	60	291		-	3.447	1		piece
HD	KLLT60.400	60	391		-	3.882	1		piece
HD	KLLT60.450	60	443		-	4.099	1		piece
HD	KLLT60.500	60	491		-	4.317	1		piece
HD	KLLT60.600	60	591		-	4.753	1		piece
HD	KLLT85.150	85	145		-	2.623	1		piece
HD	KLLT85.200	85	195		-	3.484	1		piece
HD	KLLT85.300	85	295		-	4.134	1		piece
HD	KLLT85.400	85	395		-	4.594	1		piece
HD	KLLT85.450	85	445		-	4.824	1		piece
HD	KLLT85.500	85	495		-	5.054	1		piece
HD	KLLT85.600	85	595		-	5.514	1		piece
HD	KLLT110.150	110	145		-	3.635	1		piece
HD	KLLT110.200	110	195		-	4.131	1		piece
HD	KLLT110.300	110	295		-	4.806	1		piece
HD	KLLT110.400	110	395		-	5.290	1		piece
HD	KLLT110.450	110	445		-	5.533	1		piece
HD	KLLT110.500	110	495		-	5.775	1		piece
HD	KLLT110.600	110	595		-	6.260	1		piece

Fix with:

HD	VM6.10	-	-	M6	10	0.008	100	X	piece
----	---------------	---	---	----	----	-------	-----	---	-------

Minimum number bolts and nuts VM6.10: 12 pieces.

HDDIT

Cover for T-piece



Radius	300 mm
Standard finish	Hot-dip galvanised
Optional finish PE	Duplex system

	Reference	↓ mm	↔ mm	↔ mm	↔ mm	kg/ piece	📦	Stock	Unit
HDDIT200		20	205		-	3.900	1	X	piece
HDDIT300		20	305		-	5.750	1	X	piece
HDDIT400		20	405		-	7.700	1	X	piece
HDDIT500		20	505		-	10.100	1	X	piece
HDDIT600		20	605		-	13.000	1	X	piece

KLLX

Cross-over for KLL



Radius	300 mm
Standard finish	Pre-galvanised
Optional finish	Hot-dip galvanised
Optional finish PE	Coating

	150	200	300	400	500	600
A	1021	1071	1171	1271	1371	1471

HD	Reference	↑ mm	↔ mm	↔ mm	↔ mm	kg/ piece	⊞	Stock	Unit
HD	KLLX60.150	60	141		-	3.131	1		piece
HD	KLLX60.200	60	191		-	3.232	1		piece
HD	KLLX60.300	60	291		-	4.421	1		piece
HD	KLLX60.400	60	391		-	4.875	1		piece
HD	KLLX60.450	60	443		-	5.102	1		piece
HD	KLLX60.500	60	491		-	5.329	1		piece
HD	KLLX60.600	60	591		-	5.782	1		piece
HD	KLLX85.150	85	145		-	3.525	1		piece
HD	KLLX85.200	85	195		-	4.032	1		piece
HD	KLLX85.300	85	295		-	5.221	1		piece
HD	KLLX85.400	85	395		-	5.675	1		piece
HD	KLLX85.450	85	445		-	5.902	1		piece
HD	KLLX85.500	85	495		-	6.129	1		piece
HD	KLLX85.600	85	595		-	6.582	1		piece
HD	KLLX110.150	110	145		-	4.537	1		piece
HD	KLLX110.200	110	195		-	4.796	1		piece
HD	KLLX110.300	110	295		-	5.985	1		piece
HD	KLLX110.400	110	395		-	6.439	1		piece
HD	KLLX110.450	110	445		-	6.666	1		piece
HD	KLLX110.500	110	495		-	6.893	1		piece
HD	KLLX110.600	110	595		-	7.346	1		piece

Fix with:									
HD	VM6.10	-	-	M6	10	0.008	100	X	piece

Minimum number bolts and nuts VM6.10: 16 pieces.

KLLVB

External riser for KLL



Radius	300 mm
Standard finish	Pre-galvanised
Optional finish	Hot-dip galvanised
Optional finish PE	Coating

HD	Reference	↑ mm	↔ mm	↔ mm	↔ mm	kg/ piece	📦	Stock	Unit
HD	KLLVB60.150	60	146		-	1.528	1		piece
HD	KLLVB60.200	60	196		-	1.629	1		piece
HD	KLLVB60.300	60	296		-	1.830	1		piece
HD	KLLVB60.400	60	396		-	2.032	1		piece
HD	KLLVB60.450	60	443		-	2.133	1		piece
HD	KLLVB60.500	60	496		-	2.234	1		piece
HD	KLLVB60.600	60	596		-	2.435	1		piece
HD	KLLVB85.150	85	145		-	1.922	1		piece
HD	KLLVB85.200	85	196		-	2.083	1		piece
HD	KLLVB85.300	85	296		-	2.284	1		piece
HD	KLLVB85.400	85	396		-	2.486	1		piece
HD	KLLVB85.450	85	445		-	2.587	1		piece
HD	KLLVB85.500	85	496		-	2.688	1		piece
HD	KLLVB85.600	85	596		-	2.889	1		piece
HD	KLLVB110.150	110	145		-	2.934	1		piece
HD	KLLVB110.200	110	196		-	2.755	1		piece
HD	KLLVB110.300	110	296		-	2.956	1		piece
HD	KLLVB110.400	110	396		-	3.158	1		piece
HD	KLLVB110.450	110	445		-	3.259	1		piece
HD	KLLVB110.500	110	496		-	3.360	1		piece
HD	KLLVB110.600	110	596		-	3.561	1		piece

Fix with:

HD	VM6.10	-	-	M6	10	0.008	100	X	piece
----	---------------	---	---	----	----	-------	-----	---	-------

Minimum number bolts and nuts VM6.10: 8 pieces.

KLLVB.45

External riser 45° for KLL



Radius	300 mm
Standard finish	Pre-galvanised
Optional finish	Hot-dip galvanised
Optional finish PE	Coating

HD	Reference	↕ mm	↔ mm	↔ mm	↔ mm	kg/ piece	📦	Stock	Unit
HD	KLLVB60.150.45	60	143		-	1.146	1		piece
HD	KLLVB60.200.45	60	193		-	1.222	1		piece
HD	KLLVB60.300.45	60	293		-	1.373	1		piece
HD	KLLVB60.400.45	60	393		-	1.524	1		piece
HD	KLLVB60.450.45	60	443		-	1.600	1		piece
HD	KLLVB60.500.45	60	493		-	1.676	1		piece
HD	KLLVB60.600.45	60	593		-	1.826	1		piece
HD	KLLVB85.150.45	85	145		-	1.442	1		piece
HD	KLLVB85.200.45	85	195		-	1.562	1		piece
HD	KLLVB85.300.45	85	295		-	1.713	1		piece
HD	KLLVB85.400.45	85	395		-	1.865	1		piece
HD	KLLVB85.450.45	85	445		-	1.940	1		piece
HD	KLLVB85.500.45	85	495		-	2.016	1		piece
HD	KLLVB85.600.45	85	595		-	2.167	1		piece
HD	KLLVB110.150.45	110	145		-	2.201	1		piece
HD	KLLVB110.200.45	110	195		-	2.066	1		piece
HD	KLLVB110.300.45	110	295		-	2.217	1		piece
HD	KLLVB110.400.45	110	395		-	2.369	1		piece
HD	KLLVB110.450.45	110	445		-	2.444	1		piece
HD	KLLVB110.500.45	110	495		-	2.520	1		piece
HD	KLLVB110.600.45	110	595		-	2.671	1		piece

Fix with:

HD	VM6.10	-	-	M6	10	0.008	100	X	piece
----	---------------	---	---	----	----	-------	-----	---	-------

Minimum number bolts and nuts VM6.10: 8 pieces.

KLLSB

Internal riser for KLL



Radius	300 mm
Standard finish	Pre-galvanised
Optional finish	Hot-dip galvanised
Optional finish PE	Coating

HD	Reference	↑ mm	↔ mm	↔ mm	↔ mm	kg/ piece	📦	Stock	Unit
HD	KLLSB60.150	60	146		-	1.528	1		piece
HD	KLLSB60.200	60	196		-	1.629	1		piece
HD	KLLSB60.300	60	296		-	1.830	1		piece
HD	KLLSB60.400	60	396		-	2.032	1		piece
HD	KLLSB60.450	60	443		-	2.133	1		piece
HD	KLLSB60.500	60	496		-	2.234	1		piece
HD	KLLSB60.600	60	596		-	2.435	1		piece
HD	KLLSB85.150	85	145		-	1.922	1		piece
HD	KLLSB85.200	85	196		-	2.083	1		piece
HD	KLLSB85.300	85	296		-	2.284	1		piece
HD	KLLSB85.400	85	396		-	2.486	1		piece
HD	KLLSB85.450	85	445		-	2.587	1		piece
HD	KLLSB85.500	85	496		-	2.688	1		piece
HD	KLLSB85.600	85	596		-	2.889	1		piece
HD	KLLSB110.150	110	145		-	2.934	1		piece
HD	KLLSB110.200	110	196		-	2.755	1		piece
HD	KLLSB110.300	110	296		-	2.956	1		piece
HD	KLLSB110.400	110	396		-	3.158	1		piece
HD	KLLSB110.450	110	445		-	3.259	1		piece
HD	KLLSB110.500	110	496		-	3.360	1		piece
HD	KLLSB110.600	110	596		-	3.561	1		piece

Fix with:

HD	VM6.10	-	-	M6	10	0.008	100	X	piece
----	---------------	---	---	----	----	-------	-----	---	-------

Minimum number bolts and nuts VM6.10: 8 pieces.

KLLSB.45

Internal riser 45° for KLL



Radius	300 mm
Standard finish	Pre-galvanised
Optional finish	Hot-dip galvanised
Optional finish PE	Coating

HD	Reference	↕ mm	↔ mm	↔ mm	↔ mm	kg/ piece	📦	Stock	Unit
HD	KLLSB60.150.45	60	143		-	1.146	1		piece
HD	KLLSB60.200.45	60	193		-	1.222	1		piece
HD	KLLSB60.300.45	60	293		-	1.373	1		piece
HD	KLLSB60.400.45	60	393		-	1.524	1		piece
HD	KLLSB60.450.45	60	443		-	1.600	1		piece
HD	KLLSB60.500.45	60	493		-	1.676	1		piece
HD	KLLSB60.600.45	60	593		-	1.826	1		piece
HD	KLLSB85.150.45	85	145		-	1.442	1		piece
HD	KLLSB85.200.45	85	195		-	1.562	1		piece
HD	KLLSB85.300.45	85	295		-	1.713	1		piece
HD	KLLSB85.400.45	85	395		-	1.865	1		piece
HD	KLLSB85.450.45	85	445		-	1.940	1		piece
HD	KLLSB85.500.45	85	495		-	2.016	1		piece
HD	KLLSB85.600.45	85	595		-	2.167	1		piece
HD	KLLSB110.150.45	110	145		-	2.201	1		piece
HD	KLLSB110.200.45	110	195		-	2.066	1		piece
HD	KLLSB110.300.45	110	295		-	2.217	1		piece
HD	KLLSB110.400.45	110	395		-	2.369	1		piece
HD	KLLSB110.450.45	110	445		-	2.444	1		piece
HD	KLLSB110.500.45	110	495		-	2.520	1		piece
HD	KLLSB110.600.45	110	595		-	2.671	1		piece

Fix with:									
HD	VM6.10	-	-	M6	10	0.008	100	X	piece

Minimum number bolts and nuts VM6.10: 8 pieces.

KLLVSB

Flexible (rising / low) bend for KLL



Standard finish

Pre-galvanised

Optional finish

Hot-dip galvanised

Optional finish PE

Coating

HD	Reference	↓ mm	↔ mm	↔ mm	↔ mm	kg/ piece	📦	Stock	Unit
HD	KLLVSB60.150	60	150		1040	2.830	1		piece
HD	KLLVSB60.200	60	200		1040	2.930	1		piece
HD	KLLVSB60.300	60	300		1040	3.120	1		piece
HD	KLLVSB60.400	60	400		1040	3.310	1		piece
HD	KLLVSB60.450	60	450		1040	3.410	1		piece
HD	KLLVSB60.500	60	500		1040	3.510	1		piece
HD	KLLVSB60.600	60	600		1040	3.660	1		piece
HD	KLLVSB85.150	85	150		1070	3.224	1		piece
HD	KLLVSB85.200	85	200		1070	3.320	1		piece
HD	KLLVSB85.300	85	300		1070	3.520	1		piece
HD	KLLVSB85.400	85	400		1070	3.710	1		piece
HD	KLLVSB85.450	85	445		1070	3.805	1		piece
HD	KLLVSB85.500	85	500		1070	3.900	1		piece
HD	KLLVSB85.600	85	600		1070	4.050	1		piece
HD	KLLVSB110.150	110	150		1090	4.236	1		piece
HD	KLLVSB110.200	110	200		1090	4.330	1		piece
HD	KLLVSB110.300	110	300		1090	4.530	1		piece
HD	KLLVSB110.400	110	400		1090	4.720	1		piece
HD	KLLVSB110.450	110	445		1090	4.815	1		piece
HD	KLLVSB110.500	110	500		1090	4.910	1		piece
HD	KLLVSB110.600	110	600		1090	5.060	1		piece

Fix with:

HD	VM6.10	-	-	M6	10	0.008	100	X	piece
----	---------------	---	---	----	----	-------	-----	---	-------

Minimum number bolts and nuts VM6.10: 8 pieces.

KLLBK

Bracket clamp for KLL



For fixing the cable ladder on the wall bracket.

Standard finish

Pre-galvanised

Optional finish

Hot-dip galvanised

Optional finish PE

Coating

HD	Reference	↓ mm	↔ mm	↔ mm	↔ mm	kg/ piece	📦	Stock	Unit
HD	KLLBK25	13	25		-	0.040	20		piece
HD	KLLBK40	13	40		-	0.098	20		piece

The technical information for this product can be found at the end of this chapter.

To order per full packaging.

KLLBK25: Bolt B6.20 and nuts RM6 included

KLLBK40: Bolt B8.20 and nuts PNP08 included

2 pieces per bracket

KLLAHV

Vertical branch hook for KLL



Standard finish	Pre-galvanised
Optional finish	Hot-dip galvanised
Optional finish PE	Coating

HD	Reference	↑ mm	↔ mm	↔ mm	↔↔ mm	kg/ piece	📦	Stock	Unit
HD	KLLAHV60	39	16		162	0.100	2		piece
HD	KLLAHV85	64	16		198	0.150	2		piece
HD	KLLAHV110	88	16		212	0.230	2		piece

Fix with:									
HD	VM6.10	-	-	M6	10	0.008	100	X	piece

To order per full packaging.
Minimum number bolts and nuts VM6.10: 4 pieces.

KLLAH

Horizontal branch hook for KLL



Standard finish	Pre-galvanised
Optional finish	Hot-dip galvanised
Optional finish PE	Coating

HD	Reference	↑ mm	↔ mm	↔ mm	↔↔ mm	kg/ piece	📦	Stock	Unit
HD	KLLAH60	39	118		62	0.100	2		piece
HD	KLLAH85	64	118		87	0.150	2		piece
HD	KLLAH110	88	118		111	0.230	2		piece

Fix with:									
HD	VM6.10	-	-	M6	10	0.008	100	X	piece

To order per full packaging.
Minimum number bolts and nuts VM6.10: 4 pieces.

KLLDSH

Horizontal joiner for KLL



Standard finish	Pre-galvanised
Optional finish	Hot-dip galvanised
Optional finish PE	Coating

HD	Reference	↑ mm	↔ mm	↔ mm	↔↔ mm	kg/ piece	📦	Stock	Unit
HD	KLLDSH60	41	10		200	0.080	6		piece
HD	KLLDSH85	65	10		200	0.118	6		piece
HD	KLLDSH110	90	10		200	0.157	6		piece

Fix with:									
HD	VM6.10	-	-	M6	10	0.008	100	X	piece

To order per full packaging.
Minimum number bolts and nuts VM6.10: 4 pieces.

KLLDSV

Vertical hinged joiner for KLL



Standard finish	Pre-galvanised
Optional finish	Hot-dip galvanised
Optional finish PE	Coating

HD	Reference	↓ mm	↔ mm	↔ mm	↔ mm	kg/ piece	📦	Stock	Unit
HD	KLLDSV60	37	12		240	0.160	6		piece
HD	KLLDSV85	64	12		266	0.260	6		piece
HD	KLLDSV110	88	12		290	0.380	6		piece

Fix with:									
HD	VM6.10	-	-	M6	10	0.008	100	X	piece

To order per full packaging.
Minimum number bolts and nuts VM6.10: 4 pieces.

KLLVS

Reducing plate for KLL



Max. reduction of 300mm	
Standard finish	Pre-galvanised
Optional finish	Hot-dip galvanised
Optional finish PE	Coating

HD	Reference	↓ mm	↔ mm	↔ mm	↔ mm	kg/ piece	📦	Stock	Unit
HD	KLLVS60	37	13		400	0.260	6		piece
HD	KLLVS85	65	13		400	0.436	6		piece
HD	KLLVS110	89	13		500	0.740	6		piece

Fix with:									
HD	VM6.10	-	-	M6	10	0.008	100	X	piece

The technical information for this product can be found at the end of this chapter.

To order per full packaging.
Minimum number bolts and nuts VM6.10: 4 pieces.

KLLVST

Floor Support for KLL



Standard finish	Pre-galvanised
Optional finish	Hot-dip galvanised
Optional finish PE	Coating

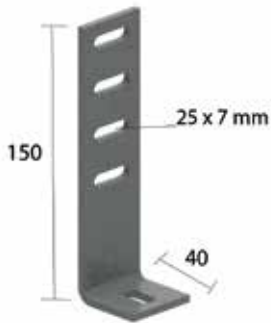
HD	Reference	↓ mm	↔ mm	↔ mm	↔ mm	kg/ piece	📦	Stock	Unit
HD	KLLVST60	37	35		100	0.080	2		piece
HD	KLLVST85	64	60		100	0.130	2		piece
HD	KLLVST110	88	82		100	0.190	2		piece

Fix with:									
HD	VM6.10	-	-	M6	10	0.008	100	X	piece

To order per full packaging.
Minimum number bolts and nuts VM6.10: 2 pieces.

HDAB35.110

Stand-off bracket



Used for vertical mounting of the cable ladder.

Standard finish Hot-dip galvanised

Optional finish PE Duplex system

Reference	↑ mm	↔ mm	→ ← mm	↔ mm	kg/ piece	📦	Stock	Unit
HDAB35.110	150	40		-	0.210	20	X	piece
Fix with:								
- HDVM6.20	-	-	M6	20	0.009	100	X	piece

To order per full packaging.

DOPKLL

End cap for KLL



Color yellow

Standard finish Polyvinyl chloride

HD	Reference	↑ mm	↔ mm	→ ← mm	↔ mm	kg/ piece	📦	Stock	Unit
-	DOPKLL60	60			-	0.016	12		piece
-	DOPKLL85	85			-	0.020	12		piece
-	DOPKLL110	110			-	0.025	12		piece

To order per full packaging.

DOPKLL60.M

End cap for KLLI60 narrowed end



Standard finish Polyvinyl chloride

HD	Reference	↑ mm	↔ mm	→ ← mm	↔ mm	kg/ piece	📦	Stock	Unit
-	DOPKLL60.M	60	21		30	0.012	12		piece

To order per full packaging.

KLLKP

Joiner for KLL



Standard finish

Pre-galvanised

Optional finish

Hot-dip galvanised

Optional finish PE

Coating

HD	Reference	↓ mm	↔ mm	↔ mm	↔ mm	kg/ piece	📦	Stock	Unit
HD	KLLKP60	41	10		200	0.085	12		piece
HD	KLLKP85	65	13		200	0.165	12		piece
HD	KLLKP110	89	13		400	0.500	12		piece

Fix with:

HD	VM6.10	-	-	M6	10	0.008	100	X	piece
----	---------------	---	---	----	----	-------	-----	---	-------

The technical information for this product can be found at the end of this chapter.

To order per full packaging.

Minimum number bolts and nuts VM6.10: 4 pieces.

SLOS

Bolt-in partition



Standard finish

Pre-galvanised

Optional finish

zinc magnesium

Optional finish PE

Coating

HD	Reference	↓ mm	↔ mm	↔ mm	↔ mm	kg/m	📦	Stock	Unit
-	SLOS35	28			3000	0.330	150	X	m
-	SLOS60	53			3000	0.511	120	X	m
-	SLOS85	78			3000	0.680	60	X	m
-	SLOS110	103			3000	0.820	30	X	m
-	ZMSLOS35	28			3000	0.257	150	X	m
-	ZMSLOS60	60			3000	0.397	120	X	m
-	ZMSLOS85	78			3000	0.529	60		m
-	ZMSLOS110	103			3000	0.638	30	X	m

Fix with:

HD	RB6.10	-	-	M6	10	0.004	100		piece
----	---------------	---	---	----	----	-------	-----	--	-------

Fixing set: 1 per metre.

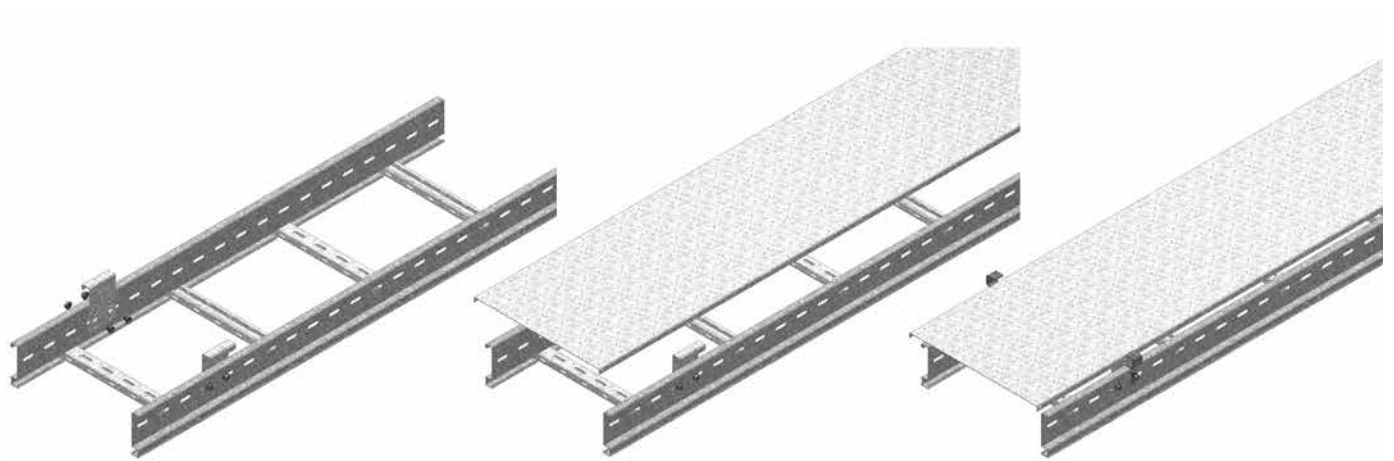
KLLDK

Technical information



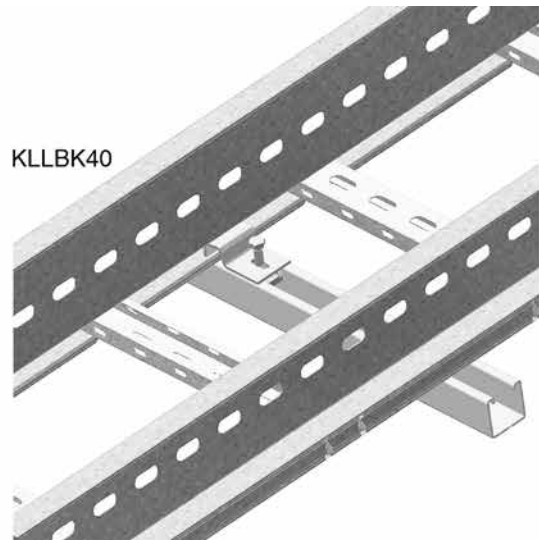
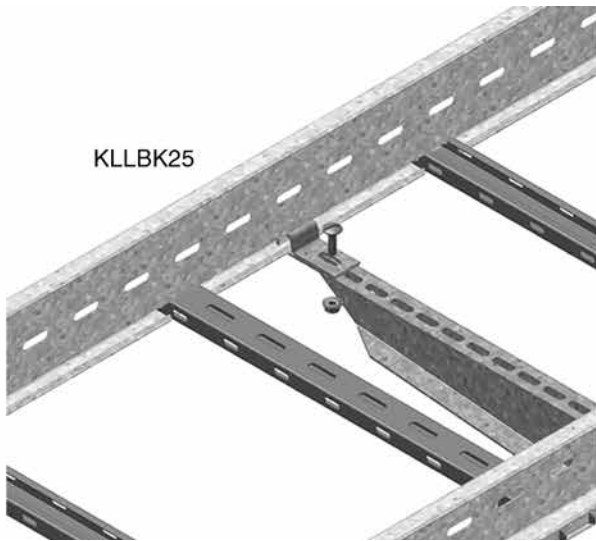
KLLABD

Technical information



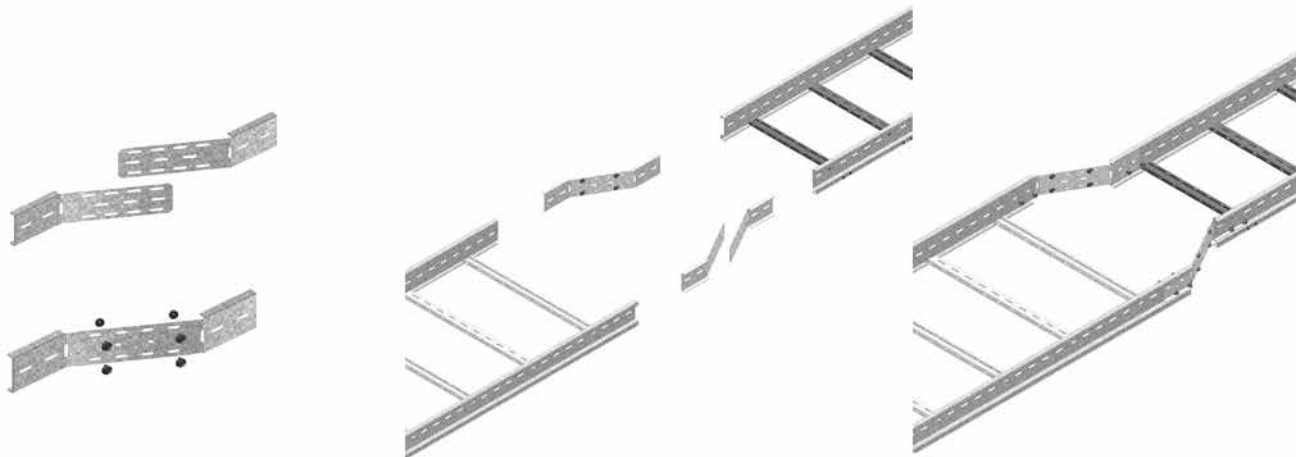
KLLBK

Technical information



KLLVS

Technical information



KLLKP

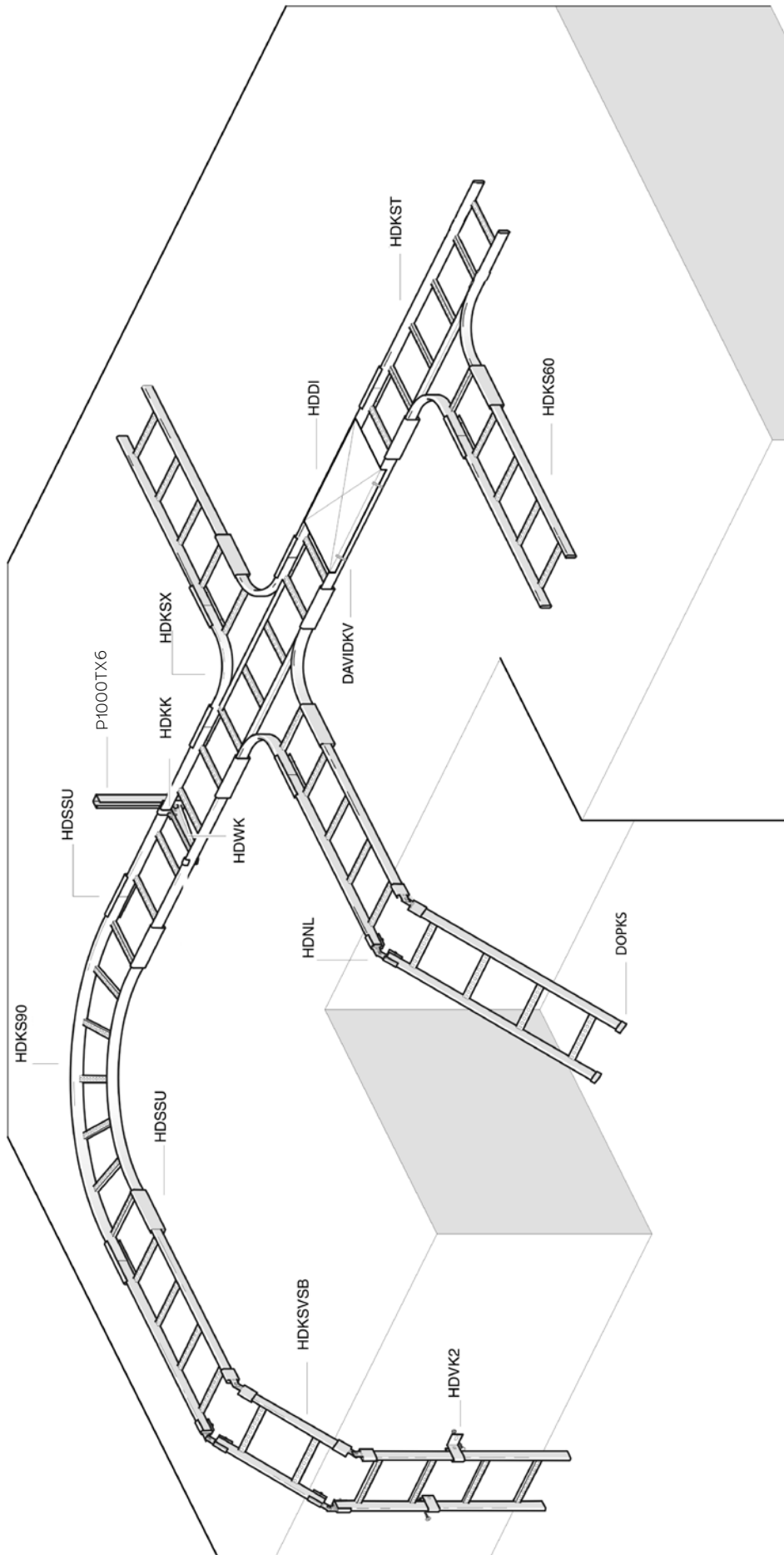
Technical information



4 Cable ladders

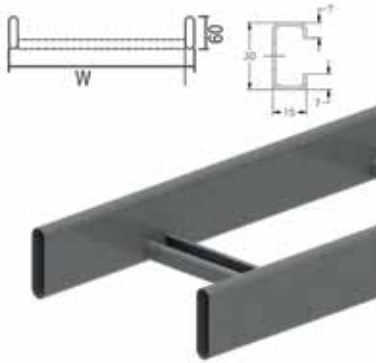


HDKS



HDKS60

Cable ladder DAVID



Tubular side walls.
Perforated C-rungs 15x30

Usable inner height	45 mm
Rung distance	250 mm
Standard finish	Hot-dip galvanised
Optional finish PE	Duplex system

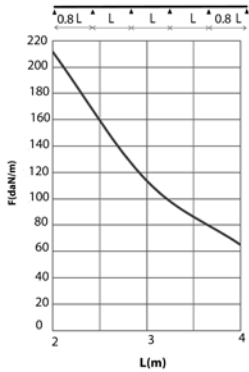
Reference	↑ mm	↔ mm	↔ mm	↔ mm	kg/m	📦	Stock	Unit
HDKS60.200	60	200		6000	2.800	60	X	m
HDKS60.300	60	300		6000	3.080	60	X	m
HDKS60.400	60	400		6000	3.320	60	X	m
HDKS60.500	60	500		6000	3.530	60	X	m
HDKS60.600	60	600		6000	3.870	60	X	m

Fix with:

HDSSU	66	225	-	-	0.410	10	X	piece
--------------	----	-----	---	---	-------	----	---	-------

LOAD DIAGRAM

This diagram illustrates the permissible uniformly distributed horizontal loads applied to multiple supports. They comply with IEC 61537 with connection to 1/5 of the span and the end span = 0,8x the span.



F = max. admissible load (daN/m)

L = support distance (m)

Max. deflection (m) = L/100

CHARACTERISTICS

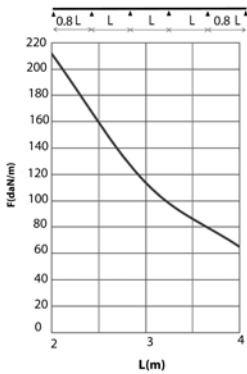
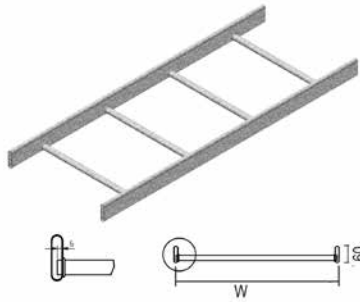
- lightweight
- strong
- rounded tubular side-walls eliminate the risk of cable damage
- hot-dip galvanised as standard
- wrap around joiners with pre-assembled tap bolts ensure a fast secure connection
- rungs are perforated to enable efficient attachment of cables.
- partition (ZMSLOS35) can be fixed to the cable ladder with a sliding nut (GM6) and pan head bolt (HDRB6.10).

TECHNICAL INFORMATION

- Side walls are constructed from tubular section 60 mm x 15 mm.
- C-rungs are fixed at 250 mm intervals.
- Rungs are welded to the side wall of the cable ladder.
- Rungs are alternately placed with openings upwards and downwards.

HDKSR60

Cable ladder DAVID tubular rungs



Usable inner height	33 mm
Rung distance	250 mm
Standard finish	Hot-dip galvanised
Optional finish PE	Duplex system

Reference	↑ mm	↔ mm	⇄ mm	↔ mm	kg/m	📦	Stock	Unit
HDKSR60.200	60	200		6000	2.700	60		m
HDKSR60.300	60	300		6000	2.940	60		m
HDKSR60.400	60	400		6000	3.180	60		m
HDKSR60.500	60	500		6000	3.430	60		m
HDKSR60.600	60	600		6000	3.670	60		m

LOAD DIAGRAM

This diagram illustrates the permissible uniformly distributed horizontal loads applied to multiple supports. They comply with IEC 61537 par 10.3.3 test type III with connection to 1/5 of the span.

F = max. admissible load (daN/m)
 L = support distance (m)
 Max. deflection (m) = L/100

CHARACTERISTICS

- lightweight
- rounded tubular side-walls eliminate the risk of cable damage.
- side walls have closed ends.
- does not accumulate dust

TECHNICAL INFORMATION

- Side walls are constructed from tubular section 60 mm x 15 mm.
- Ø 19 mm tubular rungs are fixed at 250 mm intervals.
- rungs are welded to the side wall of the cable ladder.

HDDI

Industrial cover



Standard finish	Hot-dip galvanised
Optional finish PE	Duplex system

Reference	↑ mm	↔ mm	⇄ mm	↔ mm	kg/m	📦	Stock	Unit
HDDI200	20	205		2000	1.850	2		m
HDDI300	20	305		2000	3.250	2		m
HDDI400	20	405		2000	4.250	2		m
HDDI500	20	505		2000	5.250	2		m
HDDI600	20	605		2000	6.400	2		m

Fix with:

- DAVIDKV	-	-	-	-	0.020	20	X	piece
------------------	---	---	---	---	-------	----	---	-------

Covers with width > 400 mm are delivered with diagonal reinforcements.

DAVIDKV

Cover clamp for HDKS



Number: 2 pieces per metre.

Standard finish

Spring steel

HD	Reference	↓ mm	↔ mm	↔ ← mm	↔ mm	kg/ piece	📦	Stock	Unit
-	DAVIDKV	-			-	0.020	20	X	piece

To order per full packaging.

HDKS90

Horizontal bend for HDKS



Radius

300 mm

Standard finish

Hot-dip galvanised

Optional finish PE

Duplex system

Reference	↓ mm	↔ mm	↔ ← mm	↔ mm	kg/ piece	📦	Stock	Unit	
HDKS90.200	60	200		-	2.600	1	X	piece	
HDKS90.300	60	300		-	3.150	1	X	piece	
HDKS90.400	60	400		-	3.500	1	X	piece	
HDKS90.500	60	500		-	3.900	1	X	piece	
HDKS90.600	60	600		-	4.600	1	X	piece	
Fix with:									
HDSSU	66	225	-	-	0.410	10	X	piece	

The technical information for this product can be found at the end of this chapter.

HDDIB

Industrial cover for bend



Radius

300 mm

Standard finish

Hot-dip galvanised

Optional finish PE

Duplex system

Reference	↓ mm	↔ mm	↔ ← mm	↔ mm	kg/ piece	📦	Stock	Unit	
HDDIB200	20	205		-	1.783	1	X	piece	
HDDIB300	20	305		-	2.865	1	X	piece	
HDDIB400	20	405		-	4.101	1	X	piece	
HDDIB500	20	505		-	5.491	1	X	piece	
HDDIB600	20	605		-	7.035	1	X	piece	
Fix with:									
-	DAVIDKV	-	-	-	0.020	20	X	piece	

HDKST

T-piece for HDKS



Radius	300 mm
Standard finish	Hot-dip galvanised
Optional finish PE	Duplex system

W	200	300	400	500	600
A	1100	1200	1300	1400	1500

Reference	↑ mm	↔ mm	↔ mm	↔ mm	kg/ piece	📦	Stock	Unit
HDKST200	60	200		-	3.900	1	X	piece
HDKST300	60	300		-	4.300	1	X	piece
HDKST400	60	400		-	4.700	1	X	piece
HDKST500	60	500		-	5.700	1	X	piece
HDKST600	60	600		-	5.900	1	X	piece

Fix with:								
HDSSU	66	225	-	-	0.410	10	X	piece

HDDIT

Cover for T-piece



Radius	300 mm
Standard finish	Hot-dip galvanised
Optional finish PE	Duplex system

Reference	↑ mm	↔ mm	↔ mm	↔ mm	kg/ piece	📦	Stock	Unit
HDDIT200	20	205		-	3.900	1	X	piece
HDDIT300	20	305		-	5.750	1	X	piece
HDDIT400	20	405		-	7.700	1	X	piece
HDDIT500	20	505		-	10.100	1	X	piece
HDDIT600	20	605		-	13.000	1	X	piece

Fix with:								
- DAVIDKV	-	-	-	-	0.020	20	X	piece

HDKSX

Cross-over for HDKS



Radius	300 mm
Standard finish	Hot-dip galvanised
Optional finish PE	Duplex system

W	200	300	400	500	600
A	1100	1200	1300	1400	1500

Reference	↓ mm	↔ mm	↔ ← mm	↔↔ mm	kg/ piece	📦	Stock	Unit
HDKSX200	60	200		-	5.100	1		piece
HDKSX300	60	300		-	5.700	1		piece
HDKSX400	60	400		-	6.200	1		piece
HDKSX500	60	500		-	6.900	1		piece
HDKSX600	60	600		-	7.600	1		piece

Fix with:								
HDSSU	66	225	-	-	0.410	10	X	piece

HDKSUSB

Flexible (rising / low) bend for HDKS



Direct coupling.	
Standard finish	Hot-dip galvanised
Optional finish PE	Duplex system

Reference	↓ mm	↔ mm	↔ ← mm	↔↔ mm	kg/ piece	📦	Stock	Unit
HDKSUSB200	60	200		-	1.480	1	X	piece
HDKSUSB300	60	300		-	2.550	1	X	piece
HDKSUSB400	60	400		-	2.700	1	X	piece
HDKSUSB500	60	500		-	2.700	1	X	piece
HDKSUSB600	60	600		-	2.950	1	X	piece

HDNL

Hinged joiner for HDKS



Can also be used as an End Support.	
Standard finish	Hot-dip galvanised
Optional finish PE	Duplex system

Reference	↓ mm	↔ mm	↔ ← mm	↔↔ mm	kg/ piece	📦	Stock	Unit
HDNL	66			-	0.290	12	X	piece

To order per full packaging.
Included: Bolt HDRBK6.10 and nut HDRM6.
Premounted with tapbolt 6x12.

HDDSKSH

Horizontal hinged joiner for HDKS



Standard finish

Hot-dip galvanised

Optional finish PE

Duplex system

Reference	↑ mm	↔ mm	→ ← mm	↔ mm	kg/ piece	📦	Stock	Unit
HDDSKSH	65			-	0.490	6	X	piece

To order per full packaging.

HDVK2

Wall distance bracket for HDKS



For vertical mounting of the cable ladder.

Standard finish

Hot-dip galvanised

Optional finish PE

Duplex system

Reference	↑ mm	↔ mm	→ ← mm	↔ mm	kg/ piece	📦	Stock	Unit
HDVK2	97	40		-	0.180	20	X	piece

To order per full packaging.

Included: Bolt HDRBK8.30 and nut HDRM8.

HDKK

Bracket clamp for HDKS



Mount the cable ladder on the wall bracket.

Standard finish

Hot-dip galvanised

Optional finish PE

Duplex system

Reference	↑ mm	↔ mm	→ ← mm	↔ mm	kg/ piece	📦	Stock	Unit
HDKK	58	25		-	0.070	20	X	piece

The technical information for this product can be found at the end of this chapter.

To order per full packaging.

Included: Hexagon bolt B6.20 and flange head nut HDRM6.

DOPKS

End cap for HDKS(R) and I6KSF



Color yellow

Standard finish Polyvinyl chloride

HD	Reference	↓ mm	↔ mm	↔ mm	↔ mm	kg/ piece	📦	Stock	Unit
-	DOPKS	60			-	0.010	50	X	piece

To order per full packaging.

SLOS

Bolt in partition



Standard finish Pre-galvanised

Optional finish zinc magnesium

Optional finish PE Coating

HD	Reference	↓ mm	↔ mm	↔ mm	↔ mm	kg/m	📦	Stock	Unit
-	SLOS35	28			3000	0.330	150	X	m
-	SLOS60	53			3000	0.511	120	X	m
-	SLOS85	78			3000	0.680	60	X	m
-	SLOS110	103			3000	0.820	30	X	m
-	ZMSLOS35	28			3000	0.257	150	X	m
-	ZMSLOS60	60			3000	0.397	120	X	m
-	ZMSLOS85	78			3000	0.529	60		m
-	ZMSLOS110	103			3000	0.638	30	X	m

Fixing set: 1 per meter.

HDKS60: HDVM6.10

HDKSR60: HDBKID25

HDSSU

Joiner for HDKS



Standard finish Hot-dip galvanised

Optional finish PE Duplex system

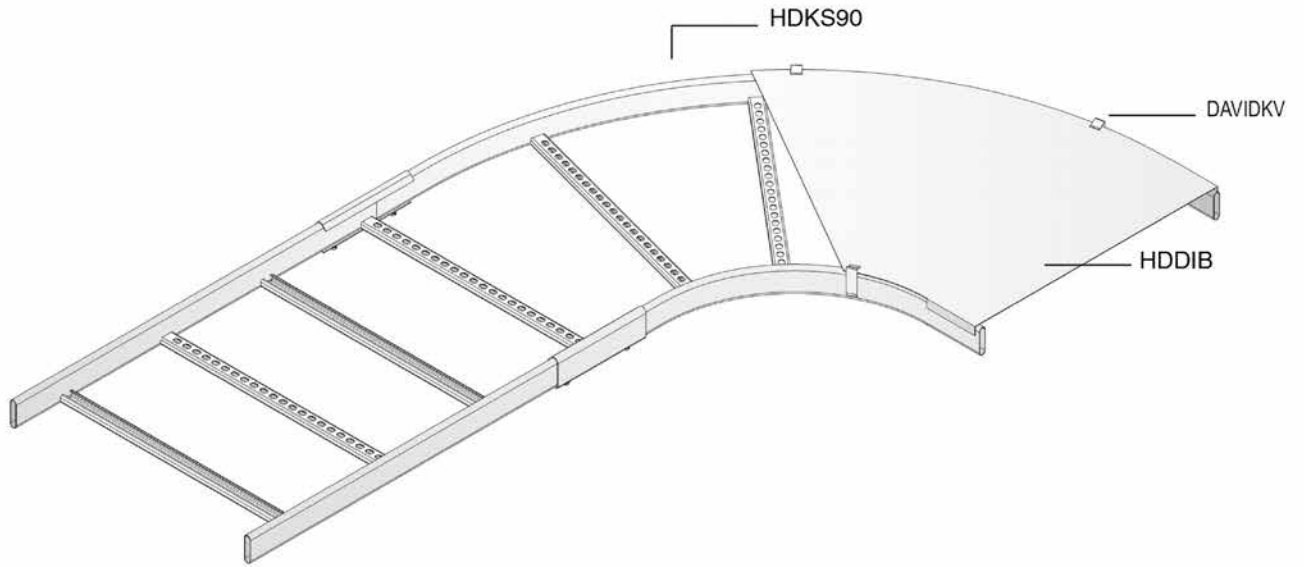
Reference	↓ mm	↔ mm	↔ mm	↔ mm	kg/ piece	📦	Stock	Unit
HDSSU	66	225		-	0.410	10	X	piece

To order per full packaging.

Premounted with 2 tapbolts 6x12.

HDKS90

Technical information



HDKK

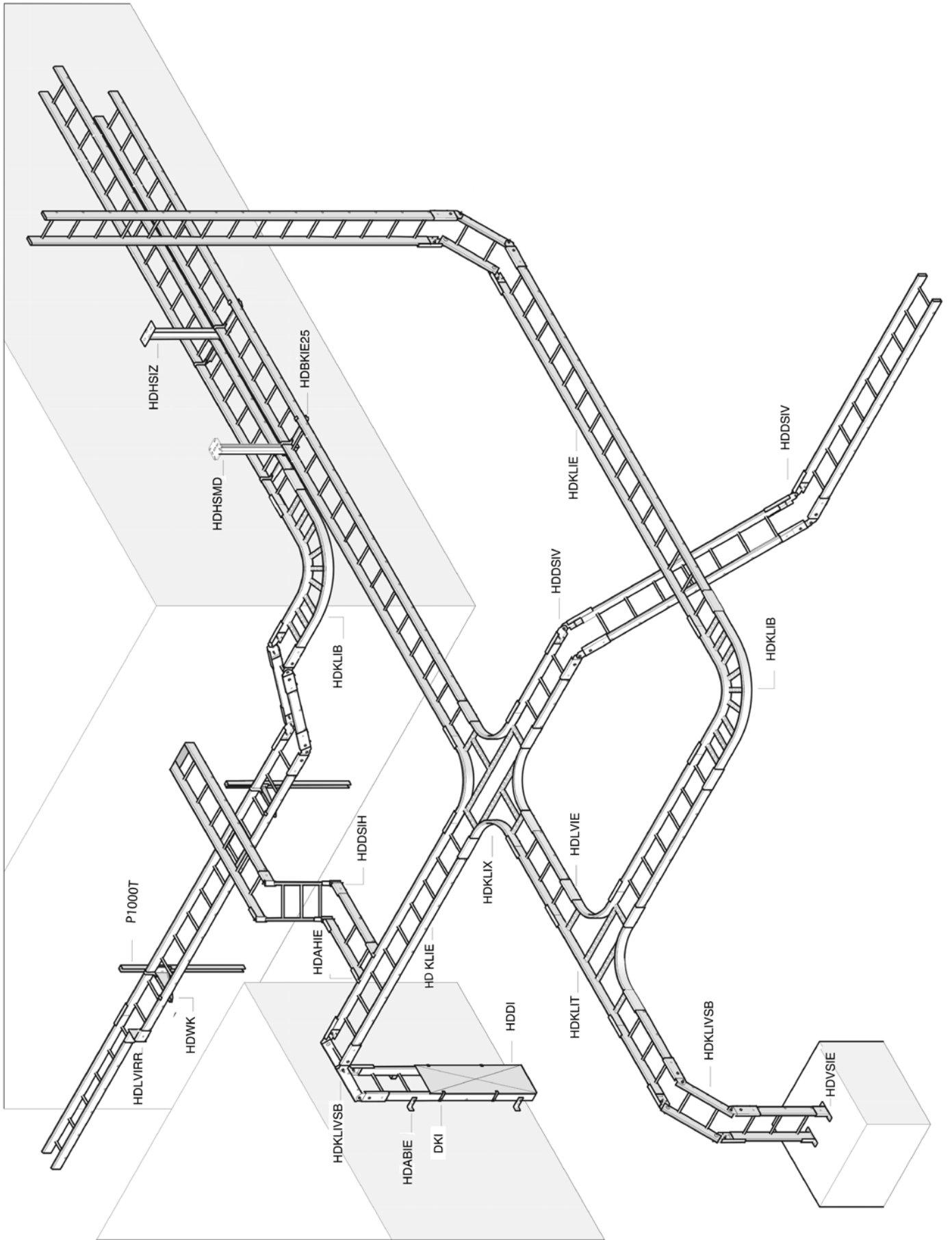
Technical information



4 Cable ladders

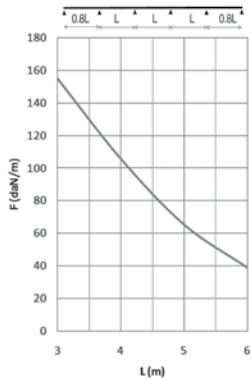
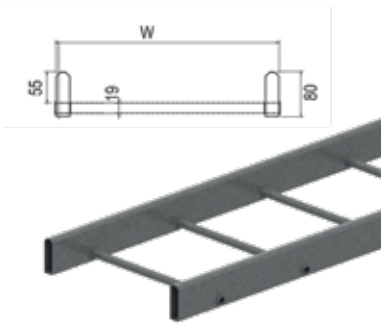


HDKLIE



HDKLIE

Industrial cable ladder



Usable inner height	55 mm
Rung distance	250 mm
Standard finish	Hot-dip galvanised
Optional finish PE	Duplex system

Reference	↑ mm	↔ mm	↔ mm	↔ mm	kg/m	📦	Stock	Unit
HDKLIE200	80	200		6000	4.050	60	X	m
HDKLIE300	80	300		6000	4.330	60	X	m
HDKLIE400	80	400		6000	4.650	60	X	m
HDKLIE500	80	500		6000	4.880	60	X	m
HDKLIE600	80	600		6000	5.030	60	X	m

Fix with:

HDLVIE	88	-	-	220	0.760	10	X	piece
---------------	----	---	---	-----	-------	----	---	-------

LOAD DIAGRAM

This diagram illustrates the permissible uniformly distributed horizontal loads applied to multiple supports. They comply with IEC 61537 and the end span = 0,8x the span. For spans > 4m, it is advised to add an extra B10.40 and M10 through the side walls and Joiners.

F = max. admissible load (daN/m)

L = support distance (m)

Max. deflection (m) = L/100

CHARACTERISTICS

- Partition SLOS35/60 or ZMSLOS35/60 should be fixed to the cable ladder by means of fixing clamp HDBKID25.

TECHNICAL INFORMATION

The side walls are made of steel tubes with section 80 mm x 25 mm. Rungs made of 19 mm tube.

Connection between rungs and side walls by means of a double flange every 250 mm.

HDDI

Industrial cover



Standard finish	Hot-dip galvanised
Optional finish PE	Duplex system

Reference	↑ mm	↔ mm	↔ mm	↔ mm	kg/m	📦	Stock	Unit
HDDI200	20	205		2000	1.850	2		m
HDDI300	20	305		2000	3.250	2		m
HDDI400	20	405		2000	4.250	2		m
HDDI500	20	505		2000	5.250	2		m
HDDI600	20	605		2000	6.400	2		m

Fix with:

- DKI	-	-	-	-	0.030	20	X	piece
--------------	---	---	---	---	-------	----	---	-------

Covers of width > 400 mm are delivered with diagonal reinforcements.

DKI

Cover clamp for HDKLIE



Number: 2 pieces per meter.

Standard finish	Pre-galvanised
Optional finish PE	Coating

HD	Reference	↓ mm	↔ mm	↔ ← mm	↔ mm	kg/ piece	📦	Stock	Unit
-	DKI	-			-	0.030	20	X	piece

To order per full packaging.
Included: Bolt B6.20 and giant washer CRO6.

HDKLIB

Horizontal bend for HDKLIE



Radius	300 mm
Standard finish	Hot-dip galvanised
Optional finish PE	Duplex system

Reference	↓ mm	↔ mm	↔ ← mm	↔ mm	kg/ piece	📦	Stock	Unit
HDKLIB200	80	200		-	3.950	1	X	piece
HDKLIB300	80	300		-	4.850	1	X	piece
HDKLIB400	80	400		-	5.800	1	X	piece
HDKLIB500	80	500		-	6.900	1	X	piece
HDKLIB600	80	600		-	7.600	1	X	piece

Fix with:									
HDLVIE	88	-	-	220	0.760	10	X	piece	

HDDIB

Industrial cover for horizontal bend 90°



Radius	300 mm
Standard finish	Hot-dip galvanised
Optional finish PE	Duplex system

Reference	↓ mm	↔ mm	↔ ← mm	↔ mm	kg/ piece	📦	Stock	Unit
HDDIB200	20	205		-	1.783	1	X	piece
HDDIB300	20	305		-	2.865	1	X	piece
HDDIB400	20	405		-	4.101	1	X	piece
HDDIB500	20	505		-	5.491	1	X	piece
HDDIB600	20	605		-	7.035	1	X	piece

Fix with:									
-	DKI	-	-	-	-	0.030	20	X	piece

HDKLIT

T-piece for HDKLIE



Radius	300 mm
Standard finish	Hot-dip galvanised
Optional finish PE	Duplex system

W	200	300	400	500	600
A	1100	1200	1300	1400	1500

Reference	↑ mm	↔ mm	↗ mm	↘ mm	kg/ piece	📦	Stock	Unit
HDKLIT200	80	200		-	6.200	1	X	piece
HDKLIT300	80	300		-	6.800	1	X	piece
HDKLIT400	80	400		-	7.900	1	X	piece
HDKLIT500	80	500		-	8.400	1	X	piece
HDKLIT600	80	600		-	10.300	1	X	piece

Fix with:								
HDLVIE	88	-	-	220	0.760	10	X	piece

The technical information for this product can be found at the end of this chapter.

HDDIT

Industrial cover for T-piece



Radius	300 mm
Standard finish	Hot-dip galvanised
Optional finish PE	Duplex system

Reference	↑ mm	↔ mm	↗ mm	↘ mm	kg/ piece	📦	Stock	Unit
HDDIT200	20	205		-	3.900	1	X	piece
HDDIT300	20	305		-	5.750	1	X	piece
HDDIT400	20	405		-	7.700	1	X	piece
HDDIT500	20	505		-	10.100	1	X	piece
HDDIT600	20	605		-	13.000	1	X	piece

Fix with:								
- DKI	-	-	-	-	0.030	20	X	piece

HDKLIX

Cross-over for HDKLIE



Radius	300 mm
Standard finish	Hot-dip galvanised
Optional finish PE	Duplex system

W	200	300	400	500	600
A	1100	1200	1300	1400	1500

Reference	↑ mm	↔ mm	↔ mm	↔ mm	kg/ piece	📦	Stock	Unit
HDKLIX200	80	200		-	11.800	1		piece
HDKLIX300	80	300		-	12.800	1		piece
HDKLIX400	80	400		-	13.300	1		piece
HDKLIX500	80	500		-	15.100	1		piece
HDKLIX600	80	600		-	17.700	1		piece

Fix with:

HDLVIE	88	-	-	220	0.760	10	X	piece
---------------	----	---	---	-----	-------	----	---	-------

HDKLIVSB

Flexible (rising/low) bend for HDKLIE



Standard finish	Hot-dip galvanised
Optional finish PE	Duplex system

Reference	↑ mm	↔ mm	↔ mm	↔ mm	kg/ piece	📦	Stock	Unit
HDKLIVSB200	80	200		-	6.190	1	X	piece
HDKLIVSB300	80	300		-	6.330	1	X	piece
HDKLIVSB400	80	400		-	6.490	1	X	piece
HDKLIVSB500	80	500		-	6.600	1	X	piece
HDKLIVSB600	80	600		-	6.680	1	X	piece

BP

Floor plate

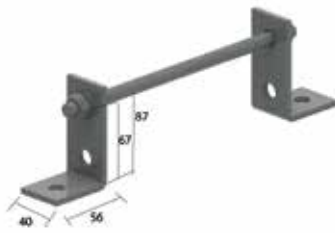


Standard finish	Pre-galvanised
Optional finish	Hot-dip galvanised
Optional finish PE	Coating

HD	Reference	↑ mm	↔ mm	↔ mm	↔ mm	kg/m	📦	Stock	Unit
HD	BP200	25	141		3000	1.560	3		m
HD	BP300	25	241		3000	2.400	3		m
HD	BP400	25	341		3000	3.230	3		m
HD	BP500	25	441		3000	4.030	3		m
HD	BP600	25	541		3000	4.860	3		m

HDABIE

Wall support for HDKLIE



Standard finish

Hot-dip galvanised

Optional finish PE

Duplex system

Reference	↑ mm	↔ mm	→ ← mm	↔ mm	kg/ piece	📦	Stock	Unit
HDABIE200	87	200		-	0.590	25	X	piece
HDABIE300	87	300		-	0.650	25	X	piece
HDABIE400	87	400		-	0.730	25	X	piece
HDABIE500	87	500		-	0.800	25	X	piece
HDABIE600	87	600		-	0.870	25	X	piece

Included: TIM12, 2x HDM12 and 2x HDP1458.

HDLVIRR

Reducing plate right for HDKLIE



Slides over the side wall

Standard finish

Hot-dip galvanised

Optional finish PE

Duplex system

Reference	↑ mm	↔ mm	→ ← mm	↔ mm	kg/ piece	📦	Stock	Unit
HDLVIRR100	100	140		-	1.100	2		piece
HDLVIRR200	100	240		-	1.330	2		piece
HDLVIRR300	100	340		-	1.350	2		piece
HDLVIRR400	100	440		-	1.600	2		piece

To order per full packaging.
Premounted with tapbolt 6x12.

HDLVIRL

Reducing plate left for HDKLIE



Slides over the side wall

Standard finish

Hot-dip galvanised

Optional finish PE

Duplex system

Reference	↑ mm	↔ mm	→ ← mm	↔ mm	kg/ piece	📦	Stock	Unit
HDLVIRL100	100	140		-	1.100	2		piece
HDLVIRL200	100	240		-	1.330	2		piece
HDLVIRL300	100	340		-	1.350	2		piece
HDLVIRL400	100	440		-	1.600	2		piece

To order per full packaging.
Premounted with tapbolt 6x12.

HDAHIE

Branch off bracket for HDKLIE



Applied in case of hooked branching.
Slides over the side wall.

Standard finish	Hot-dip galvanised
Optional finish PE	Duplex system

Reference	↓ mm	↔ mm	↔ mm	↔ mm	kg/ piece	📦	Stock	Unit
HDAHIE	95	40		-	0.500	10	X	piece

To order per full packaging.
Premounted with tapbolt 6x12.

HDDSIV

Vertical hinged joiner for HDKLIE



The hinge slides +/- 110 mm over the cable ladder.

Standard finish	Hot-dip galvanised
Optional finish PE	Duplex system

Reference	↓ mm	↔ mm	↔ mm	↔ mm	kg/ piece	📦	Stock	Unit
HDDSIV	90			-	1.040	4	X	piece

To order per full packaging.
Premounted with tapbolt 6x12.

HDDSIH

Horizontal hinged joiner for HDKLIE



The hinge slides +/- 110 mm over the cable ladder.

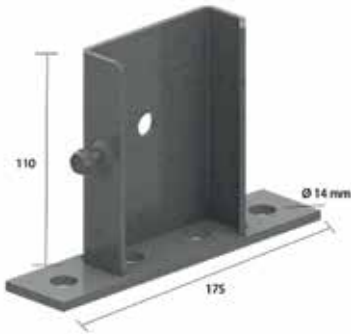
Standard finish	Hot-dip galvanised
Optional finish PE	Duplex system

Reference	↓ mm	↔ mm	↔ mm	↔ mm	kg/ piece	📦	Stock	Unit
HDDSIH	90			-	1.020	6	X	piece

To order per full packaging.
Premounted with tapbolt 6x12.

HDVSIE

Floor support for HDKLIE



To mount the cable ladder vertically on the floor.
Slides over the side wall.

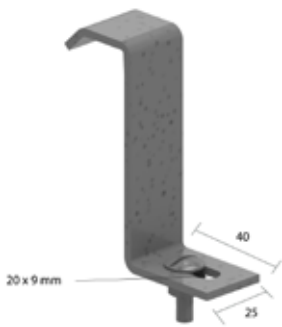
Standard finish	Hot-dip galvanised
Optional finish PE	Duplex system

Reference	↑ mm	↔ mm	→ ← mm	↔ mm	kg/ piece	📦	Stock	Unit
HDVSIE	115	88		-	0.640	6	X	piece

To order per full packaging.
Premounted with tapbolt 6x12.

HDBKIE25

Bracket clamp for HDKLIE



To mount the cable ladder on a bracket.

Standard finish	Hot-dip galvanised
Optional finish PE	Duplex system

Reference	↑ mm	↔ mm	→ ← mm	↔ mm	kg/ piece	📦	Stock	Unit
HDBKIE25	83	25		-	0.090	20	X	piece

To order per full packaging.
Included: Bolt RB6.20 and flanged nut RM6.

HDBKIE40

Bracket clamp for HDKLIE



Standard finish	Hot-dip galvanised
Optional finish PE	Duplex system

Reference	↑ mm	↔ mm	→ ← mm	↔ mm	kg/ piece	📦	Stock	Unit
HDBKIE40	83	40		-	0.130	20	X	piece

To order per full packaging.
To order separately:
fixing to brackets: VMK6.20
fixing to mounting profile: B6.20 + CRO6 + PNP06

HDBKID25

Bracket clamp SLOS for HDKLIE



To mount a partition on the cable ladder.

Standard finish	Hot-dip galvanised
Optional finish PE	Duplex system

Reference	↓ mm	↔ mm	→ ← mm	↔ mm	kg/ piece	📦	Stock	Unit
HDBKID25	-			-	0.030	20	X	piece

To order per full packaging.
Included: Bolt RB6.20 and flanged nut RM6.

DOPKLIE

End cap for HDKLIE



Slides over the end of the ladder.

Color	yellow
Standard finish	Polyvinyl chloride

HD	Reference	↓ mm	↔ mm	→ ← mm	↔ mm	kg/ piece	📦	Stock	Unit
-	DOPKLIE	80			-	0.020	20	X	piece

To order per full packaging.

SLOS

Bolt-in partition



Standard finish	Pre-galvanised
Optional finish	zinc magnesium

Optional finish PE	Coating
--------------------	---------

HD	Reference	↓ mm	↔ mm	→ ← mm	↔ mm	kg/m	📦	Stock	Unit
-	SLOS35	28			3000	0.330	150	X	m
-	SLOS60	53			3000	0.511	120	X	m
-	SLOS85	78			3000	0.680	60	X	m
-	SLOS110	103			3000	0.820	30	X	m
-	ZMSLOS35	28			3000	0.257	150	X	m
-	ZMSLOS60	60			3000	0.397	120	X	m
-	ZMSLOS85	78			3000	0.529	60		m
-	ZMSLOS110	103			3000	0.638	30	X	m

Fix with:

HDBKID25	-	-	-	-	0.030	20	X	piece
-----------------	---	---	---	---	-------	----	---	-------

Fixing set: 1 per meter.
SLOS60 not to be used with cover HDDI.

HDLVIE

Joiner for HDKLIE



Standard finish

Hot-dip galvanised

Optional finish PE

Duplex system

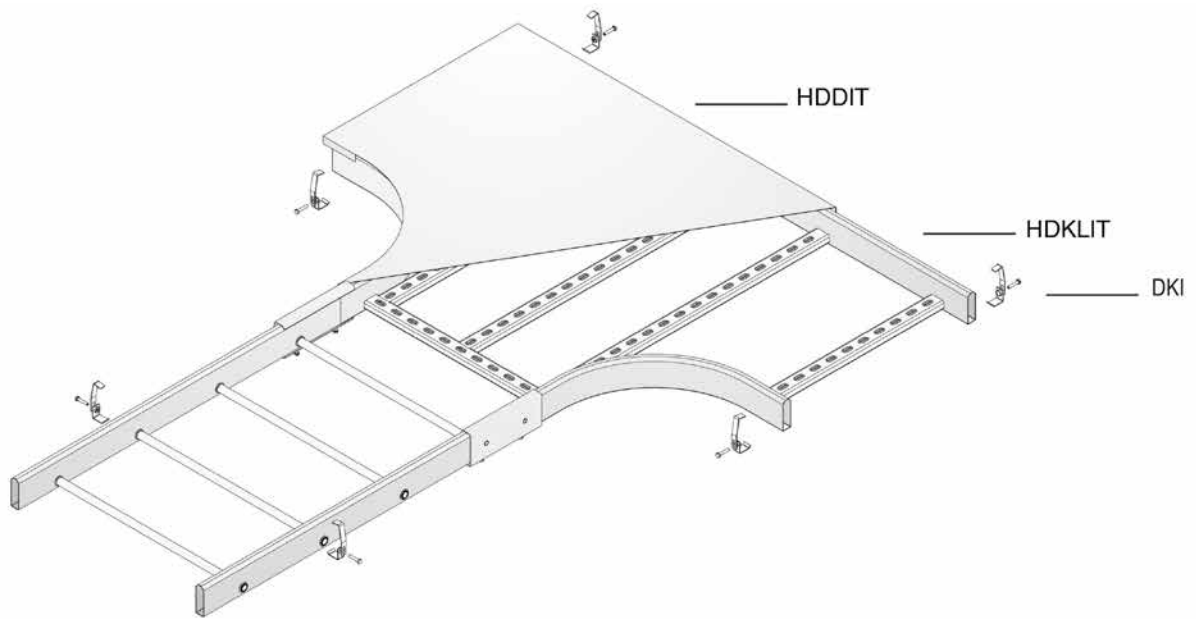
Reference	↕ mm	↔ mm	↔ mm	↔ mm	kg/ piece	📦	Stock	Unit
HDLVIE	88			220	0.760	10	X	piece

To order per full packaging.

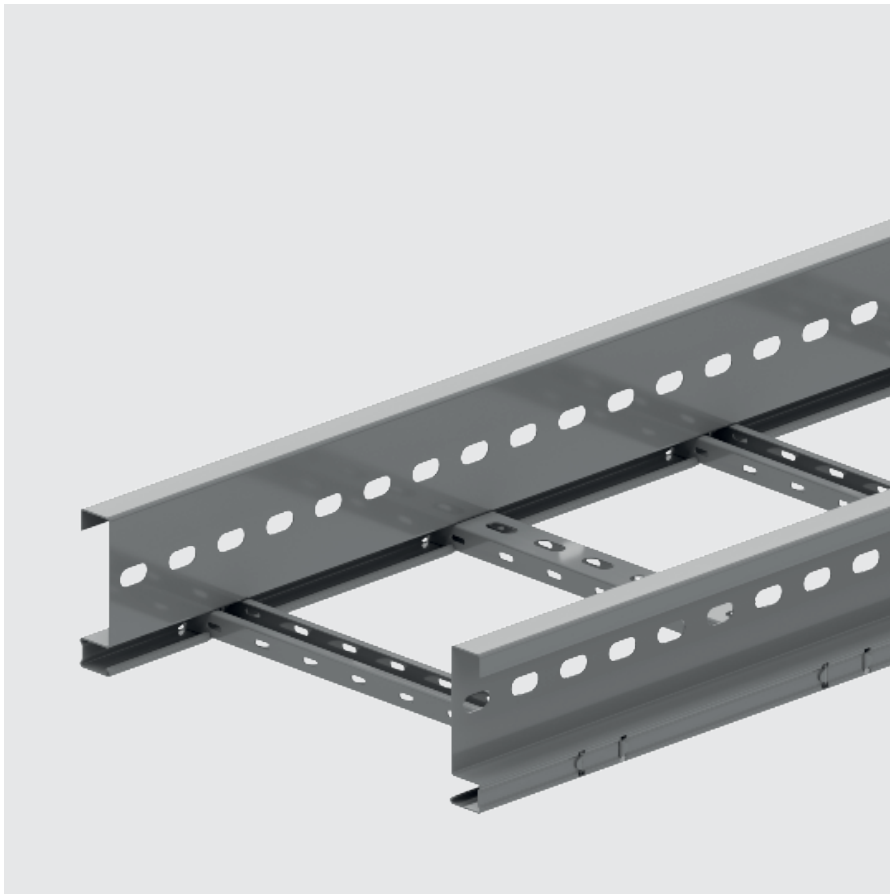
These are premounted with tapbolt 6x12.

HDKLIT

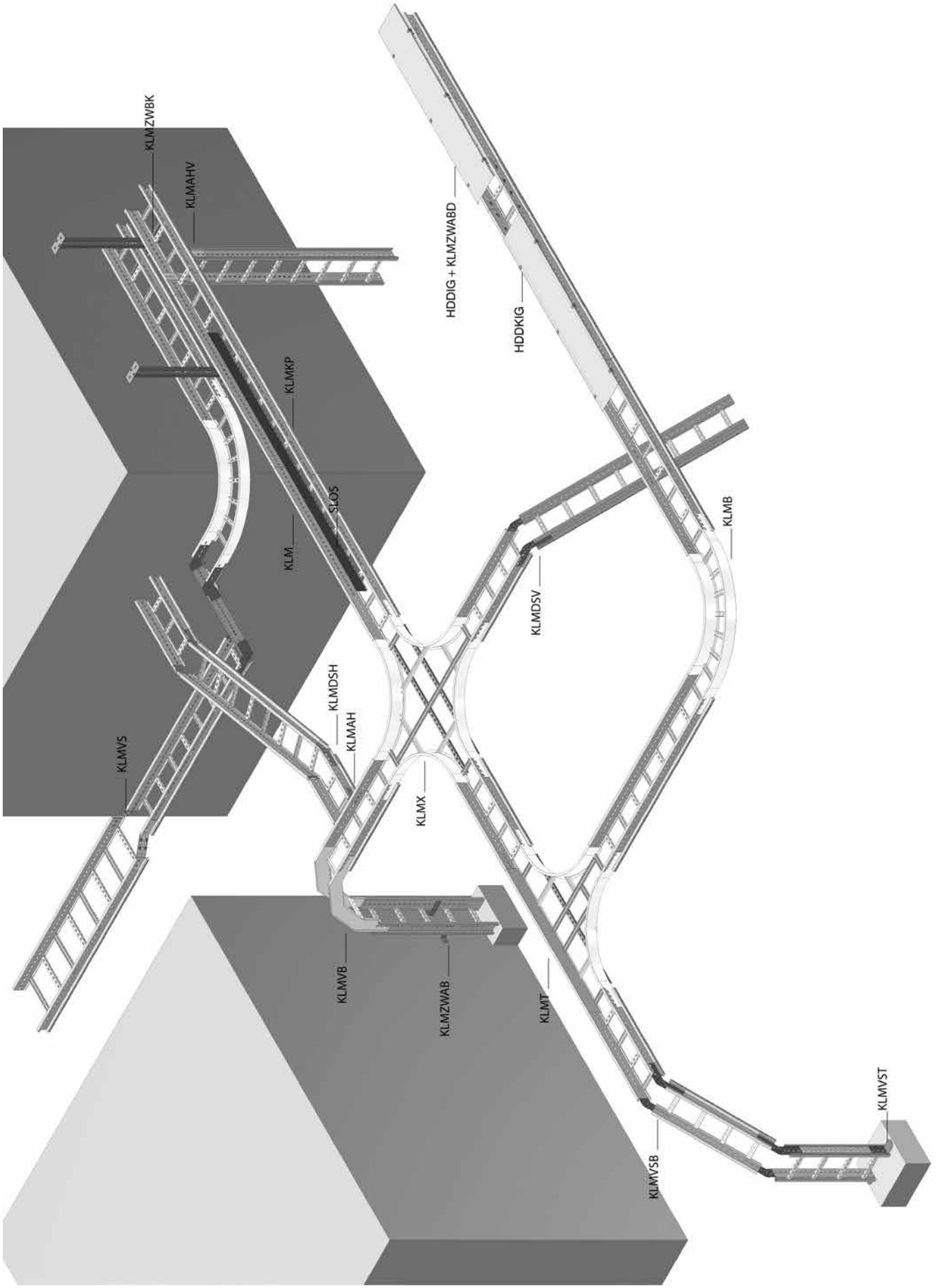
Technical information



4 Cable ladders

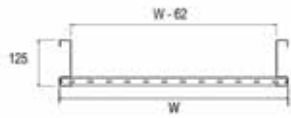


KLM



KLM

Cable ladder height 125



Cable ladder for large support distances up to 8 metres
Perforated C rungs 41x21

Usable inner height	102 mm
Rung distance	250 mm
To order	length 3000 mm or 9000 mm
To order	width 700 - 1200 mm (increments of 100 mm)
Standard finish	Pre-galvanised
Optional finish	Hot-dip galvanised
Optional finish PE	Coating

HD	Reference	↑ mm	↔ mm	↔ mm	↔ mm	kg/m	⊠	Stock	Unit
HD	KLM200	125	218	1.50	6000	6.000	48		m
HD	KLM300	125	318	1.50	6000	6.320	48		m
HD	KLM400	125	418	1.50	6000	6.640	48		m
HD	KLM500	125	518	1.50	6000	6.960	48		m
HD	KLM600	125	618	1.50	6000	7.280	48		m
HD	KLM800	125	818	1.50	6000	7.980	48		m
HD	KLM1000	125	1018	1.50	6000	8.620	48		m

Fix with:

HD	KLMKP	97	25	-	-	1.260	6		piece
HD	RBK12.20	-	-	M12	-	0.052	100	X	piece
HD	RM12	-	-	M12	-	0.021	100		piece

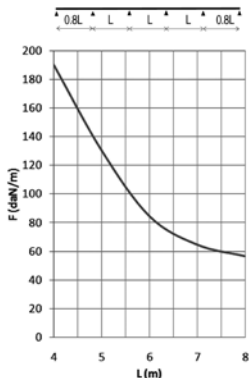
LOAD DIAGRAM

This diagram illustrates the permissible uniformly distributed horizontal loads applied to multiple supports. They comply with IEC 61537 with connection in the centre of the span and the end span = 0,8x the span.

F = max. admissible load (daN/m)

L = support distance (m)

Max. deflection (m) = L/200



CHARACTERISTICS

- strong
- useable inner height 102 mm, ideal for large diameter cables
- no further coupling holes are required if the cable ladder is cut
- no joiners are required to attach accessories such as bends, tees etc.
- rungs are perforated to enable efficient attachment of cables
- partition (SLOS85) can be fixed to the cable ladder with a sliding nut (PNP06) and pan head bolt (RB6.20).

TECHNICAL INFORMATION

- Side walls are constructed from S profile with a return flange and are continuously perforated
- C-profile rungs are fixed at 250 mm intervals.
- rungs are mechanically attached to the side wall of the cable ladder.
- rungs are alternately placed with openings upwards and downwards

ZMDIG

Industrial cover



Standard finish

zinc magnesium

Optional finish PE

Duplex system

HD	Reference	↓ mm	↔ mm	↔ mm	↔ mm	kg/m	⊞	Stock	Unit
-	ZMDIG200	15	223		2000	1.850	2		m
-	ZMDIG300	15	323		2000	2.650	2		m
-	ZMDIG400	15	423		2000	4.100	2		m
-	ZMDIG500	15	523		2000	5.050	2		m
-	ZMDIG600	15	623		2000	5.950	2		m

Fix with:

HDDKIG	-	-	-	-	0.030	20	X	piece
---------------	---	---	---	---	-------	----	---	-------

Covers with width > 400 mm are delivered with diagonal reinforcements.

HDDKIG

Cover clamp



Number: 2 pieces per metre.

Standard finish

Hot-dip galvanised

Optional finish PE

Duplex system

Reference	↓ mm	↔ mm	↔ mm	↔ mm	kg/ piece	⊞	Stock	Unit
HDDKIG	-			-	0.030	20	X	piece

The technical information for this product can be found at the end of this chapter.

To order per full packaging.

Included: Bolt HDB6.30.

KLMZWABD

Stand-off bracket for cover KLM/KLZ/KLW



Number: 2 pieces per metre.

Standard finish

Pre-galvanised

Optional finish

Hot-dip galvanised

Optional finish PE

Coating

HD	Reference	↓ mm	↔ mm	↔ mm	↔ mm	kg/ piece	⊞	Stock	Unit
HD	KLMZWABD	155	40		34	0.187	4		piece

The technical information for this product can be found at the end of this chapter.

To order per full packaging.

KLMB

Horizontal bend for KLM



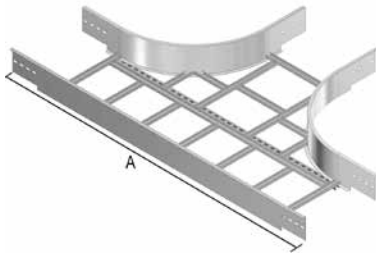
Radius	600 mm
Standard finish	Pre-galvanised
Optional finish	Hot-dip galvanised
Optional finish PE	Coating

HD	Reference	↑ mm	↔ mm	↔ mm	↔ mm	kg/ piece	📦	Stock	Unit
HD	KLMB200	125	208		-	6.719	1		piece
HD	KLMB300	125	308		-	7.592	1		piece
HD	KLMB400	125	408		-	8.464	1		piece
HD	KLMB500	125	508		-	9.336	1		piece
HD	KLMB600	125	608		-	10.210	1		piece
Fix with:									
HD	RBK12.20	-	-	M12	20	0.052	100	X	piece
HD	RM12	-	-	M12	-	0.021	100		piece

Minimum number bolts and nuts : 8 pieces.

KLMT

T-piece for KLM



Radius	600 mm
Standard finish	Pre-galvanised
Optional finish	Hot-dip galvanised
Optional finish PE	Coating

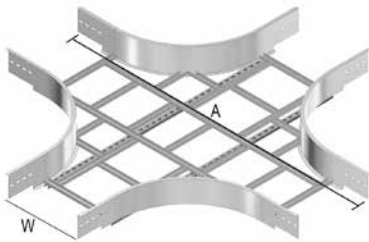
	200	300	400	500	600
A	1962	2062	2162	2262	2362

HD	Reference	↑ mm	↔ mm	↔ mm	↔ mm	kg/ piece	📦	Stock	Unit
HD	KLMT200	125	208		-	11.506	1		piece
HD	KLMT300	125	308		-	12.433	1		piece
HD	KLMT400	125	408		-	13.363	1		piece
HD	KLMT500	125	508		-	14.288	1		piece
HD	KLMT600	125	608		-	15.215	1		piece
Fix with:									
HD	RBK12.20	-	-	M12	20	0.052	100	X	piece
HD	RM12	-	-	M12	-	0.021	100		piece

Minimum number bolts and nuts : 12 pieces.

KLMX

Cross-over for KLM



Radius	600 mm
Standard finish	Pre-galvanised
Optional finish	Hot-dip galvanised
Optional finish PE	Coating

	200	300	400	500	600
A	1962	2062	2162	2262	2362

HD	Reference	↑ mm	↔ mm	↔ mm	↔ mm	kg/ piece	📦	Stock	Unit
HD	KLMX200	125	208		-	13.339	1		piece
HD	KLMX300	125	308		-	16.184	1		piece
HD	KLMX400	125	408		-	17.302	1		piece
HD	KLMX500	125	508		-	18.371	1		piece
HD	KLMX600	125	608		-	19.439	1		piece

Fix with:									
HD	RBK12.20	-	-	M12	20	0.052	100	X	piece
HD	RM12	-	-	M12	-	0.021	100		piece

Minimum number bolts and nuts: 16 pieces.

KLMVB

External riser for KLM



Radius	600 mm
Standard finish	Pre-galvanised
Optional finish	Hot-dip galvanised
Optional finish PE	Coating

HD	Reference	↑ mm	↔ mm	↔ mm	↔ mm	kg/ piece	📦	Stock	Unit
HD	KLMVB200	125	208		-	4.800	1		piece
HD	KLMVB300	125	308		-	5.130	1		piece
HD	KLMVB400	125	408		-	5.460	1		piece
HD	KLMVB500	125	508		-	5.799	1		piece
HD	KLMVB600	125	608		-	6.120	1		piece

Fix with:									
HD	RBK12.20	-	-	M12	20	0.052	100	X	piece
HD	RM12	-	-	M12	-	0.021	100		piece

Minimum number bolts and nuts: 8 pieces.

KLMSB

Internal riser for KLM



Radius	600 mm
Standard finish	Pre-galvanised
Optional finish	Hot-dip galvanised
Optional finish PE	Coating

HD	Reference	↕ mm	↔ mm	↔ mm	↔ mm	kg/ piece	📦	Stock	Unit
HD	KLMSB200	125	208		-	5.320	1		piece
HD	KLMSB300	125	308		-	5.650	1		piece
HD	KLMSB400	125	408		-	5.980	1		piece
HD	KLMSB500	125	508		-	6.310	1		piece
HD	KLMSB600	125	608		-	6.640	1		piece
Fix with:									
HD	RBK12.20	-	-	M12	20	0.052	100	X	piece
HD	RM12	-	-	M12	-	0.021	100		piece

Minimum number bolts and nuts : 8 pieces.

KLMVSB

Flexible (rising / low) bend for KLM



Standard finish	Pre-galvanised
Optional finish	Hot-dip galvanised
Optional finish PE	Coating

HD	Reference	↕ mm	↔ mm	↔ mm	↔ mm	kg/ piece	📦	Stock	Unit
HD	KLMVSB200	125	218		1135	9.300	1		piece
HD	KLMVSB300	125	318		1135	9.620	1		piece
HD	KLMVSB400	125	418		1135	9.940	1		piece
HD	KLMVSB500	125	518		1135	10.260	1		piece
HD	KLMVSB600	125	618		1135	10.580	1		piece
Fix with:									
HD	RBK12.20	-	-	M12	20	0.052	100	X	piece
HD	RM12	-	-	M12	-	0.021	100		piece

Minimum number bolts and nuts: 8 pieces.

KLMAH

Horizontal branch hook for KLM



Standard finish	Pre-galvanised
Optional finish	Hot-dip galvanised
Optional finish PE	Coating

HD	Reference	↑ mm	↔ mm	→ ← mm	↔ mm	kg/ piece	📦	Stock	Unit
HD	KLMAH	96	169		125	0.420	2		piece
Fix with:									
HD	RBK12.20	-	-	M12	20	0.052	100	X	piece
HD	RM12	-	-	M12	-	0.021	100		piece

To order per full packaging.
Minimum number bolts and nuts: 4 pieces.

KLMAHV

Vertical branch hook for KLM



Standard finish	Pre-galvanised
Optional finish	Hot-dip galvanised
Optional finish PE	Coating

HD	Reference	↑ mm	↔ mm	→ ← mm	↔ mm	kg/ piece	📦	Stock	Unit
HD	KLMAHV	96	27		265	0.420	2		piece
Fix with:									
HD	RBK12.20	-	-	M12	20	0.052	100	X	piece
HD	RM12	-	-	M12	-	0.021	100		piece

To order per full packaging.
Minimum number bolts and nuts: 3 pieces.

KLMDSH

Horizontal hinged joiner for KLM



Slides in the C-opening of the sidewalls
Premounted

Standard finish	Pre-galvanised
Optional finish	Hot-dip galvanised
Optional finish PE	Coating

HD	Reference	↑ mm	↔ mm	→ ← mm	↔ mm	kg/ piece	📦	Stock	Unit
HD	KLMDSH	96	25		330	0.686	2		piece
Fix with:									
HD	RBK12.20	-	-	M12	20	0.052	100	X	piece
HD	RM12	-	-	M12	-	0.021	100		piece

To order per full packaging.
Minimum number bolts and nuts: 4 pieces.

KLMDSV

Vertical hinged joiner for KLM



Standard finish	Pre-galvanised
Optional finish	Hot-dip galvanised
Optional finish PE	Coating

HD	Reference	↓ mm	↔ mm	↔ mm	↔ mm	kg/ piece	📦	Stock	Unit
HD	KLMDSV	96	20		434	0.820	2		piece

Fix with:

HD	RBK12.20	-	-	M12	20	0.052	100	X	piece
HD	RM12	-	-	M12	-	0.021	100		piece

To order per full packaging.
Minimum number bolts and nuts: 4 pieces.

KLMVST

Floor Support for KLM



Standard finish	Pre-galvanised
Optional finish	Hot-dip galvanised
Optional finish PE	Coating

HD	Reference	↓ mm	↔ mm	↔ mm	↔ mm	kg/ piece	📦	Stock	Unit
HD	KLMVST	96	114		150	0.410	2		piece

Fix with:

HD	RBK12.20	-	-	M12	20	0.052	100	X	piece
HD	RM12	-	-	M12	-	0.021	100		piece

To order per full packaging.
Minimum number bolts and nuts: 2 pieces.

KLMVS

Reducing plate for KLM



Max. reduction of 300mm	
Standard finish	Pre-galvanised
Optional finish	Hot-dip galvanised
Optional finish PE	Coating

HD	Reference	↓ mm	↔ mm	↔ mm	↔ mm	kg/ piece	📦	Stock	Unit
HD	KLMVS	95	20		500	1.260	1		piece

Fix with:

HD	RBK12.20	-	-	M12	20	0.052	100	X	piece
HD	RM12	-	-	M12	-	0.021	100		piece

Minimum number bolts and nuts: 4 pieces.

KLMZWAB

Stand-off bracket for KLM/KLZ/KLW



Used for vertical mounting of the cable ladder.

Standard finish	Electro zinc-plated
Optional finish	Hot-dip galvanised
Optional finish PE	Coating

HD	Reference	↓ mm	↔ mm	→ ← mm	↔ mm	kg/ piece	📦	Stock	Unit
HD	KLMZWAB	170	50		61	0.304	4		piece

Fix with:									
HD	RBK12.20	-	-	M12	20	0.052	100	X	piece
HD	RM12	-	-	M12	-	0.021	100		piece

To order per full packaging.
Minimum number bolts and nuts: 1 piece.

KLMZWBK

Bracket clamp



For fixing cable ladder to a wall bracket.
2 pieces per bracket.

Standard finish	Pre-galvanised
Optional finish	Hot-dip galvanised
Optional finish PE	Coating

HD	Reference	↓ mm	↔ mm	→ ← mm	↔ mm	kg/ piece	📦	Stock	Unit
HD	KLMZWBK25	20	25		-	0.051	20	X	piece
HD	KLMZWBK40	20	40		-	0.125	20	X	piece

The technical information for this product can be found at the end of this chapter.

To order per full packaging.
KLMZWBK25: Bolt B6.20 and nuts RM6 included.
KLMZWBK40: Bolt B8.20 and nuts PNP08 included.

- 25 for cantilevers
- 40 for profiles 41

DOPKLM

End cap for KLM



Color	Yellow
Standard finish	Polyvinyl chloride

HD	Reference	↓ mm	↔ mm	→ ← mm	↔ mm	kg/ piece	📦	Stock	Unit
-	DOPKLM	125			-	0.034	12		piece

To order per full packaging.

KLMKP

Joiner for KLM



Standard finish	Pre-galvanised
Optional finish	Hot-dip galvanised
Optional finish PE	Coating

HD	Reference	↓ mm	↔ mm	→ ← mm	↔ mm	kg/ piece	📦	Stock	Unit
HD	KLMKP	97	25		600	1.260	6		piece

Fix with:

HD	RBK12.20	-	-	M12	20	0.052	100	X	piece
HD	RM12	-	-	M12	-	0.021	100		piece

To order per full packaging.
Minimum number bolts and nuts : 4 pieces.

BP

Floor plate



Standard finish	Pre-galvanised
Optional finish	Hot-dip galvanised
Optional finish PE	Coating

HD	Reference	↓ mm	↔ mm	→ ← mm	↔ mm	kg/m	📦	Stock	Unit
HD	BP200	25	141		3000	1.560	3		m
HD	BP300	25	241		3000	2.400	3		m
HD	BP400	25	341		3000	3.230	3		m
HD	BP500	25	441		3000	4.030	3		m
HD	BP600	25	541		3000	4.860	3		m

Fix with:

HD	RB6.20	-	-	M6	20	0.006	100		piece
HD	PNS06	-	-	M6	-	0.031	100	X	piece

SLOS

Partition



Standard finish

Pre-galvanised

Optional finish

zinc magnesium

Optional finish PE

Coating

HD	Reference	↑ mm	↔ mm	↔ mm	↔ mm	kg/m	📦	Stock	Unit
-	SLOS35	28			3000	0.330	150	X	m
-	SLOS60	53			3000	0.511	120	X	m
-	SLOS85	78			3000	0.680	60	X	m
-	SLOS110	103			3000	0.820	30	X	m
-	ZMSLOS35	28			3000	0.257	150	X	m
-	ZMSLOS60	60			3000	0.397	120	X	m
-	ZMSLOS85	78			3000	0.529	60		m
-	ZMSLOS110	103			3000	0.638	30	X	m

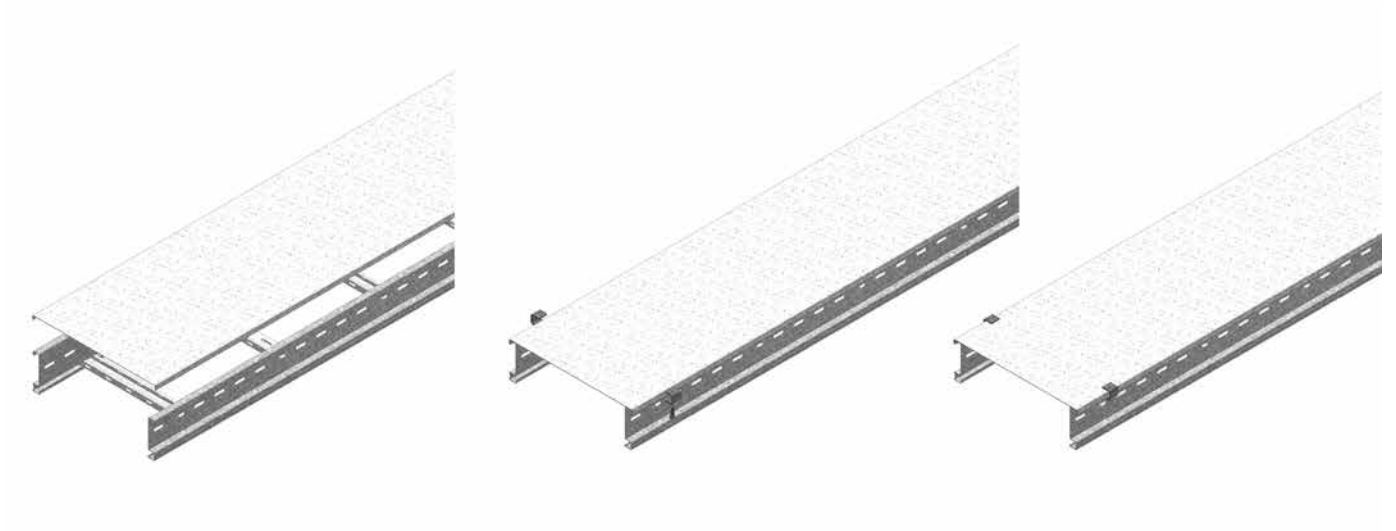
Fix with:

HD	RB6.20	-	-	M6	20	0.006	100		piece
HD	PNP06	-	-	M6	-	0.024	100	X	piece

Fixing set: 1 per metre.

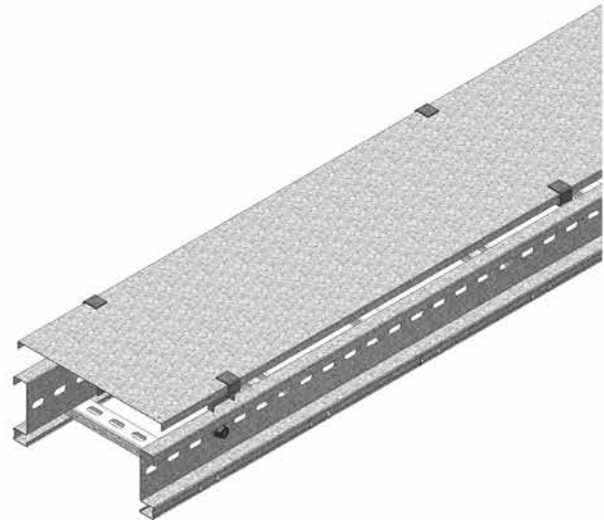
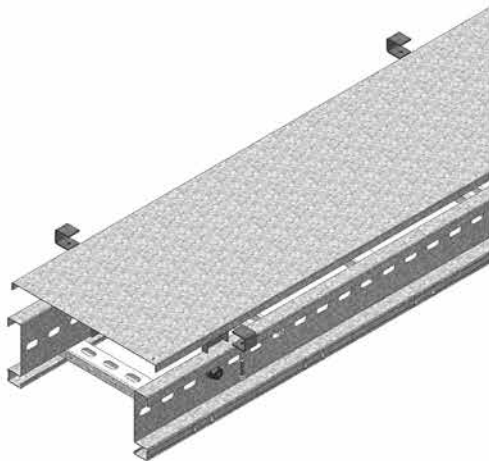
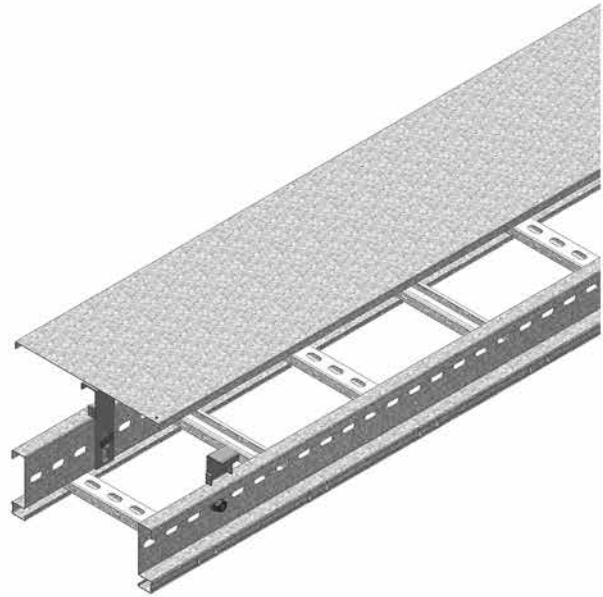
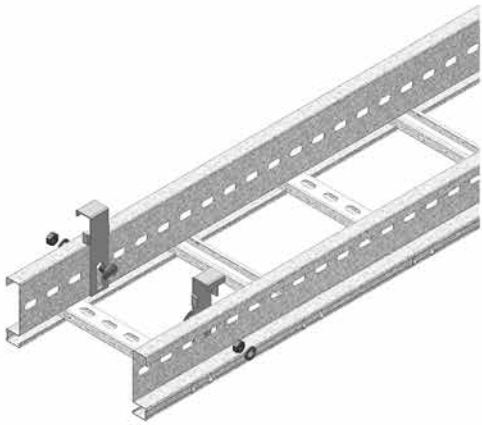
HDDKIG

Technical information



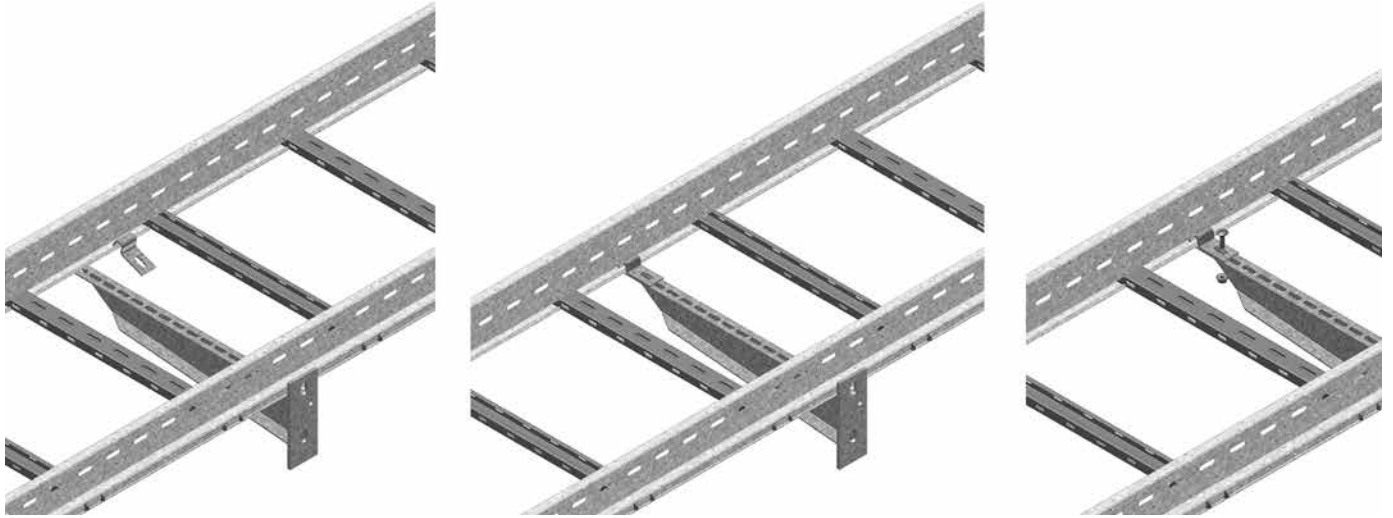
KLMZWABD

Technical information



KLMZWBK

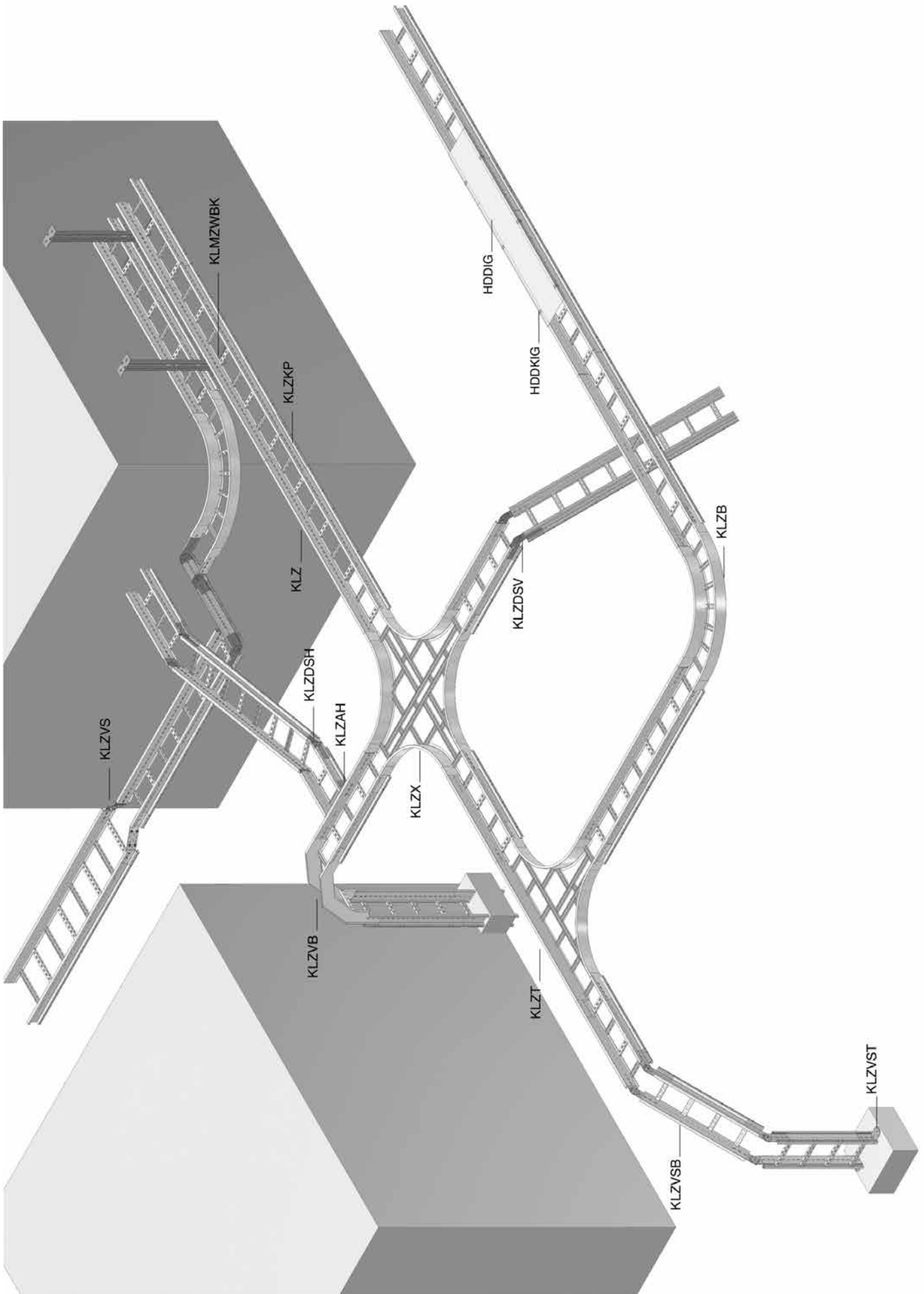
Technical information



4 Cable ladders

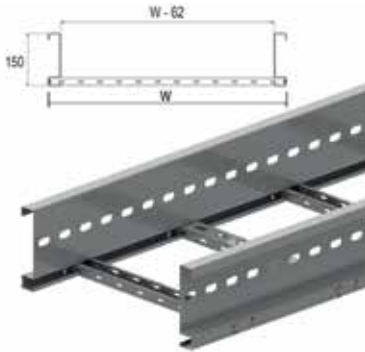


KLZ




KLZ

Cable ladder height 150



Cable ladder for large support distances up to 8 metres
Perforated C rungs 41x21

Usable inner height	127 mm
Rung distance	250 mm
To order	length 3000 mm or 9000 mm
To order	width 700 - 1200 mm (increments of 100 mm)
Standard finish	Pre-galvanised
Optional finish	Hot-dip galvanised
Optional finish PE	Coating

HD	Reference	↑ mm	↔ mm	→ ← mm	↔ mm	kg/m		Stock	Unit
HD	KLZ200	150	218	2.00	6000	7.520	48		m
HD	KLZ300	150	318	2.00	6000	7.840	48		m
HD	KLZ400	150	418	2.00	6000	8.160	48		m
HD	KLZ500	150	518	2.00	6000	8.480	48		m
HD	KLZ600	150	618	2.00	6000	8.810	48		m
HD	KLZ800	150	818	2.00	6000	9.950	48		m
HD	KLZ1000	150	1018	2.00	6000	10.140	48		m

Fix with:

HD	KLZKP	121	25	-	-	1.490	6		piece
HD	RBK12.20	-	-	M12	-	0.052	100	X	piece
HD	RM12	-	-	M12	-	0.021	100		piece

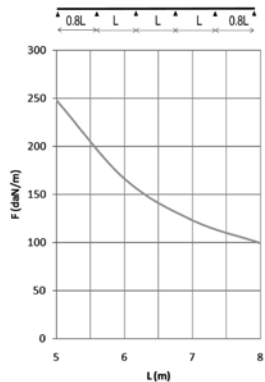
LOAD DIAGRAM

This diagram illustrates the permissible uniformly distributed horizontal loads applied to multiple supports. They comply with IEC 61537 with connection in the centre of the span and the end span = 0,8x the span.

F = max. admissible load (daN/m)

L = support distance (m)

Max. deflection (m) = L/200



CHARACTERISTICS

- strong
- usable inner height 127 mm, ideal for large diameter cables
- no further coupling holes are required if the cable ladder is cut
- no joiners are required to attach accessories such as bends, tees etc.
- rungs are perforated to enable efficient attachment of cables
- partition (SLOS110) can be fixed to the cable ladder with a sliding nut (PNP06) and pan head bolt (RB6.20).

TECHNICAL INFORMATION

Side walls are constructed from S profile with a return flange and are continuously perforated

- C-profile rungs are fixed at 250 mm intervals.
- rungs are mechanically attached to the side wall of the cable ladder.
- rungs are alternately placed with openings upwards and downwards.

ZMDIG

Industrial cover



Standard finish

zinc magnesium

Optional finish PE

Duplex system

HD	Reference	↓ mm	↔ mm	↔ mm	↔ mm	kg/m	📦	Stock	Unit
-	ZMDIG200	15	223		2000	1.850	2		m
-	ZMDIG300	15	323		2000	2.650	2		m
-	ZMDIG400	15	423		2000	4.100	2		m
-	ZMDIG500	15	523		2000	5.050	2		m
-	ZMDIG600	15	623		2000	5.950	2		m

Fix with:

HDDKIG	-	-	-	-	0.030	20	X	piece
---------------	---	---	---	---	-------	----	---	-------

Covers with width > 400 mm are delivered with diagonal reinforcements.

HDDKIG

Cover clamp



Number: 2 pieces per metre.

Standard finish

Hot-dip galvanised

Optional finish PE

Duplex system

Reference	↓ mm	↔ mm	↔ mm	↔ mm	kg/ piece	📦	Stock	Unit
HDDKIG	-			-	0.030	20	X	piece

To order per full packaging.
Included: Bolt HDB6.30.

KLMZWABD

Stand-off bracket for cover KLM/KLZ/KLW



Number: 2 pieces per metre.

Standard finish

Pre-galvanised

Optional finish

Hot-dip galvanised

Optional finish PE

Coating

HD	Reference	↓ mm	↔ mm	↔ mm	↔ mm	kg/ piece	📦	Stock	Unit
HD	KLMZWABD	155	40		34	0.187	4		piece

Fix with:

HD	RBK12.20	-	-	M12	20	0.052	100	X	piece
HD	RM12	-	-	M12	-	0.021	100		piece

The technical information for this product can be found at the end of this chapter.

To order per full packaging.

KLZB

Horizontal bend for KLZ



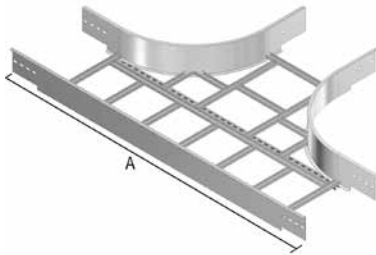
Radius	600 mm
Standard finish	Pre-galvanised
Optional finish	Hot-dip galvanised
Optional finish PE	Coating

HD	Reference	↑ mm	↔ mm	→ ← mm	↔ mm	kg/ piece	📦	Stock	Unit
HD	KLZB200	150	208		-	7.705	1		piece
HD	KLZB300	150	308		-	8.620	1		piece
HD	KLZB400	150	408		-	9.543	1		piece
HD	KLZB500	150	508		-	10.461	1		piece
HD	KLZB600	150	608		-	11.381	1		piece
Fix with:									
HD	RBK12.20	-	-	M12	20	0.052	100	X	piece
HD	RM12	-	-	M12	-	0.021	100		piece

Minimum number bolts and nuts : 8 pieces.

KLZT

T-piece for KLZ



Radius	600 mm
Standard finish	Pre-galvanised
Optional finish	Hot-dip galvanised
Optional finish PE	Coating

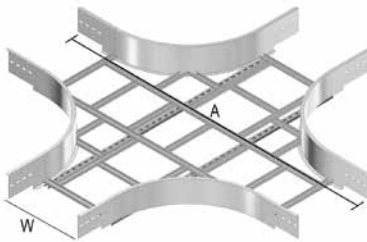
	200	300	400	500	600
A	1962	2062	2162	2262	2362

HD	Reference	↑ mm	↔ mm	→ ← mm	↔ mm	kg/ piece	📦	Stock	Unit
HD	KLZT200	150	208		-	13.017	1		piece
HD	KLZT300	150	308		-	13.974	1		piece
HD	KLZT400	150	408		-	14.931	1		piece
HD	KLZT500	150	508		-	15.888	1		piece
HD	KLZT600	150	608		-	16.843	1		piece
Fix with:									
HD	RBK12.20	-	-	M12	20	0.052	100	X	piece
HD	RM12	-	-	M12	-	0.021	100		piece

Minimum number bolts and nuts : 12 pieces.

KLZX

Cross-over for KLZ



Radius	600 mm
Standard finish	Pre-galvanised
Optional finish	Hot-dip galvanised
Optional finish PE	Coating

	200	300	400	500	600
A	1962	2062	2162	2262	2362

HD	Reference	↑ mm	↔ mm	↗ mm	↘ mm	kg/ piece	📦	Stock	Unit
HD	KLZX200	150	208		-	15.159	1		piece
HD	KLZX300	150	308		-	18.004	1		piece
HD	KLZX400	150	408		-	19.122	1		piece
HD	KLZX500	150	508		-	20.191	1		piece
HD	KLZX600	150	608		-	21.259	1		piece

Fix with:									
HD	RBK12.20	-	-	M12	20	0.052	100	X	piece
HD	RM12	-	-	M12	-	0.021	100		piece

Minimum number bolts and nuts : 16 pieces.

KLZVB

External riser for KLZ



Radius	600 mm
Standard finish	Pre-galvanised
Optional finish	Hot-dip galvanised
Optional finish PE	Coating

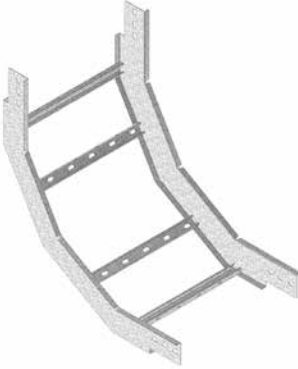
HD	Reference	↑ mm	↔ mm	↗ mm	↘ mm	kg/ piece	📦	Stock	Unit
HD	KLZVB200	150	208		-	5.330	1		piece
HD	KLZVB300	150	308		-	5.990	1		piece
HD	KLZVB400	150	408		-	6.320	1		piece
HD	KLZVB500	150	508		-	6.650	1		piece
HD	KLZVB600	150	608		-	6.980	1		piece

Fix with:									
HD	RBK12.20	-	-	M12	20	0.052	100	X	piece
HD	RM12	-	-	M12	-	0.021	100		piece

Minimum number bolts and nuts : 8 pieces.

KLZSB

Internal riser for KLZ



Radius	600 mm
Standard finish	Pre-galvanised
Optional finish	Hot-dip galvanised
Optional finish PE	Coating

HD	Reference	↑ mm	↔ mm	→ ← mm	↔ mm	kg/ piece	📦	Stock	Unit
HD	KLZSB200	150	208		-	6.180	1		piece
HD	KLZSB300	150	308		-	6.510	1		piece
HD	KLZSB400	150	408		-	6.840	1		piece
HD	KLZSB500	150	508		-	7.170	1		piece
HD	KLZSB600	150	608		-	7.500	1		piece
Fix with:									
HD	RBK12.20	-	-	M12	20	0.052	100	X	piece
HD	RM12	-	-	M12	-	0.021	100		piece

Minimum number bolts and nuts : 8 pieces.

KLZVSB

Flexible (rising / low) bend for KLZ



Standard finish	Pre-galvanised
Optional finish	Hot-dip galvanised
Optional finish PE	Coating

HD	Reference	↑ mm	↔ mm	→ ← mm	↔ mm	kg/ piece	📦	Stock	Unit
HD	KLZVSB200	150	218		1135	13.680	1		piece
HD	KLZVSB300	150	318		1135	14.000	1		piece
HD	KLZVSB400	150	418		1135	14.320	1		piece
HD	KLZVSB500	150	518		1135	14.640	1		piece
HD	KLZVSB600	150	618		1135	14.964	1		piece
Fix with:									
HD	RBK12.20	-	-	M12	20	0.052	100	X	piece
HD	RM12	-	-	M12	-	0.021	100		piece

Minimum number bolts and nuts : 8 pieces.

KLZAH

Horizontal branch hook KLZ



Standard finish	Pre-galvanised
Optional finish	Hot-dip galvanised
Optional finish PE	Coating

HD	Reference	↑ mm	↔ mm	→ ← mm	↔ mm	kg/ piece	📦	Stock	Unit
HD	KLZAH	120	169		150	0.830	2		piece
Fix with:									
HD	RBK12.20	-	-	M12	20	0.052	100	X	piece
HD	RM12	-	-	M12	-	0.021	100		piece

To order per full packaging.
Minimum number bolts and nuts: 4 pieces.

KLZAHV

Vertical branch hook for KLZ



Slides in the C-opening of the sidewalls .

Standard finish	Pre-galvanised
Optional finish	Hot-dip galvanised
Optional finish PE	Coating

HD	Reference	↑ mm	↔ mm	→ ← mm	↔ mm	kg/ piece	📦	Stock	Unit
HD	KLZAHV	120	27		290	0.830	2		piece
Fix with:									
HD	RBK12.20	-	-	M12	20	0.052	100	X	piece
HD	RM12	-	-	M12	-	0.021	100		piece

To order per full packaging.
Minimum number bolts and nuts: 3 pieces.

KLZDSH

Horizontal hinged joiner for KLZ



Slides in the C-opening of the sidewalls
Premounted

Standard finish	Pre-galvanised
Optional finish	Hot-dip galvanised
Optional finish PE	Coating

HD	Reference	↑ mm	↔ mm	→ ← mm	↔ mm	kg/ piece	📦	Stock	Unit
HD	KLZDSH	120	25		330	0.800	2		piece
Fix with:									
HD	RBK12.20	-	-	M12	20	0.052	100	X	piece
HD	RM12	-	-	M12	-	0.021	100		piece

To order per full packaging.
Minimum number bolts and nuts: 4 pieces.

KLZDSV

Vertical hinged joiner for KLZ



Premounted with B12.20.

Standard finish	Pre-galvanised
Optional finish	Hot-dip galvanised
Optional finish PE	Coating

HD	Reference	↓ mm	↔ mm	↔ mm	↔ mm	kg/ piece	📦	Stock	Unit
HD	KLZDSV	120	20		434	1.540	2		piece

Fix with:

HD	RBK12.20	-	-	M12	20	0.052	100	X	piece
HD	RM12	-	-	M12	-	0.021	100		piece

To order per full packaging.
Minimum number bolts and nuts: 4 pieces.

KLZVST

Floor Support for KLZ



Standard finish	Pre-galvanised
Optional finish	Hot-dip galvanised
Optional finish PE	Coating

HD	Reference	↓ mm	↔ mm	↔ mm	↔ mm	kg/ piece	📦	Stock	Unit
HD	KLZVST	120	125		150	0.770	2		piece

Fix with:

HD	RBK12.20	-	-	M12	20	0.052	100	X	piece
HD	RM12	-	-	M12	-	0.021	100		piece

To order per full packaging.
Minimum number bolts and nuts : 2 pieces.

KLZVS

Reducing plate for KLZ



Max. reduction of 300mm

Standard finish	Pre-galvanised
Optional finish	Hot-dip galvanised
Optional finish PE	Coating

HD	Reference	↓ mm	↔ mm	↔ mm	↔ mm	kg/ piece	📦	Stock	Unit
HD	KLZVS	120	20		500	1.520	1		piece

Fix with:

HD	RBK12.20	-	-	M12	20	0.052	100	X	piece
HD	RM12	-	-	M12	-	0.021	100		piece

Minimum number bolts and nuts : 4 pieces.

KLMZWAB

Stand-off bracket



Used for vertical mounting of the cable ladder.

Standard finish	Electro zinc-plated
Optional finish	Hot-dip galvanised
Optional finish PE	Coating

HD	Reference	↑ mm	↔ mm	→ ← mm	↔ mm	kg/ piece	📦	Stock	Unit
HD	KLMZWAB	170	50		61	0.304	4		piece

Fix with:

HD	RBK12.20	-	-	M12	20	0.052	100	X	piece
HD	RM12	-	-	M12	-	0.021	100		piece

To order per full packaging.

Minimum number bolts and nuts: 1 pieces.

KLMZWBK

Bracket clamp



For fixing cable ladder to a wall bracket.
2 pieces per bracket.

Standard finish	Pre-galvanised
Optional finish	Hot-dip galvanised
Optional finish PE	Coating

HD	Reference	↑ mm	↔ mm	→ ← mm	↔ mm	kg/ piece	📦	Stock	Unit
HD	KLMZWBK25	20	25		-	0.051	20	X	piece
HD	KLMZWBK40	20	40		-	0.125	20	X	piece

The technical information for this product can be found at the end of this chapter.

To order per full packaging.

KLMZWBK25: Bolt B6.20 and nuts RM6 included.

KLMZWBK40: Bolt B8.20 and nuts PNP08 included.

- 25 for cantilevers
- 40 for profiles 41

DOPKLZ

End cap for KLZ



Color	Yellow
Standard finish	Polyvinyl chloride

HD	Reference	↑ mm	↔ mm	→ ← mm	↔ mm	kg/ piece	📦	Stock	Unit
-	DOPKLZ	150			-	0.038	12		piece

To order per full packaging.

KLZKP

Joiner for KLZ



Slides in the C-opening of the sidewalls

Standard finish	Pre-galvanised
Optional finish	Hot-dip galvanised
Optional finish PE	Coating

HD	Reference	↓ mm	↔ mm	→ ← mm	↔ mm	kg/ piece	📦	Stock	Unit
HD	KLZKP	121	25		600	1.490	6		piece

Fix with:									
HD	RBK12.20	-	-	M12	20	0.052	100	X	piece
HD	RM12	-	-	M12	-	0.021	100		piece

To order per full packaging.
Minimum number bolts and nuts : 4 pieces.

BP

Floor plate



Standard finish	Pre-galvanised
Optional finish	Hot-dip galvanised
Optional finish PE	Coating

HD	Reference	↓ mm	↔ mm	→ ← mm	↔ mm	kg/m	📦	Stock	Unit
HD	BP200	25	141		3000	1.560	3		m
HD	BP300	25	241		3000	2.400	3		m
HD	BP400	25	341		3000	3.230	3		m
HD	BP500	25	441		3000	4.030	3		m
HD	BP600	25	541		3000	4.860	3		m

Fix with:									
HD	RB6.20	-	-	M6	20	0.006	100		piece
HD	PNS06	-	-	M6	-	0.031	100	X	piece

SLOS

Partition



Standard finish

Pre-galvanised

Optional finish

zinc magnesium

Optional finish PE

Coating

HD	Reference	↕ mm	↔ mm	↔ mm	↔ mm	kg/m	📦	Stock	Unit
-	SLOS35	28			3000	0.330	150	X	m
-	SLOS60	53			3000	0.511	120	X	m
-	SLOS85	78			3000	0.680	60	X	m
-	SLOS110	103			3000	0.820	30	X	m
-	ZMSLOS35	28			3000	0.257	150	X	m
-	ZMSLOS60	60			3000	0.397	120	X	m
-	ZMSLOS85	78			3000	0.529	60		m
-	ZMSLOS110	103			3000	0.638	30	X	m

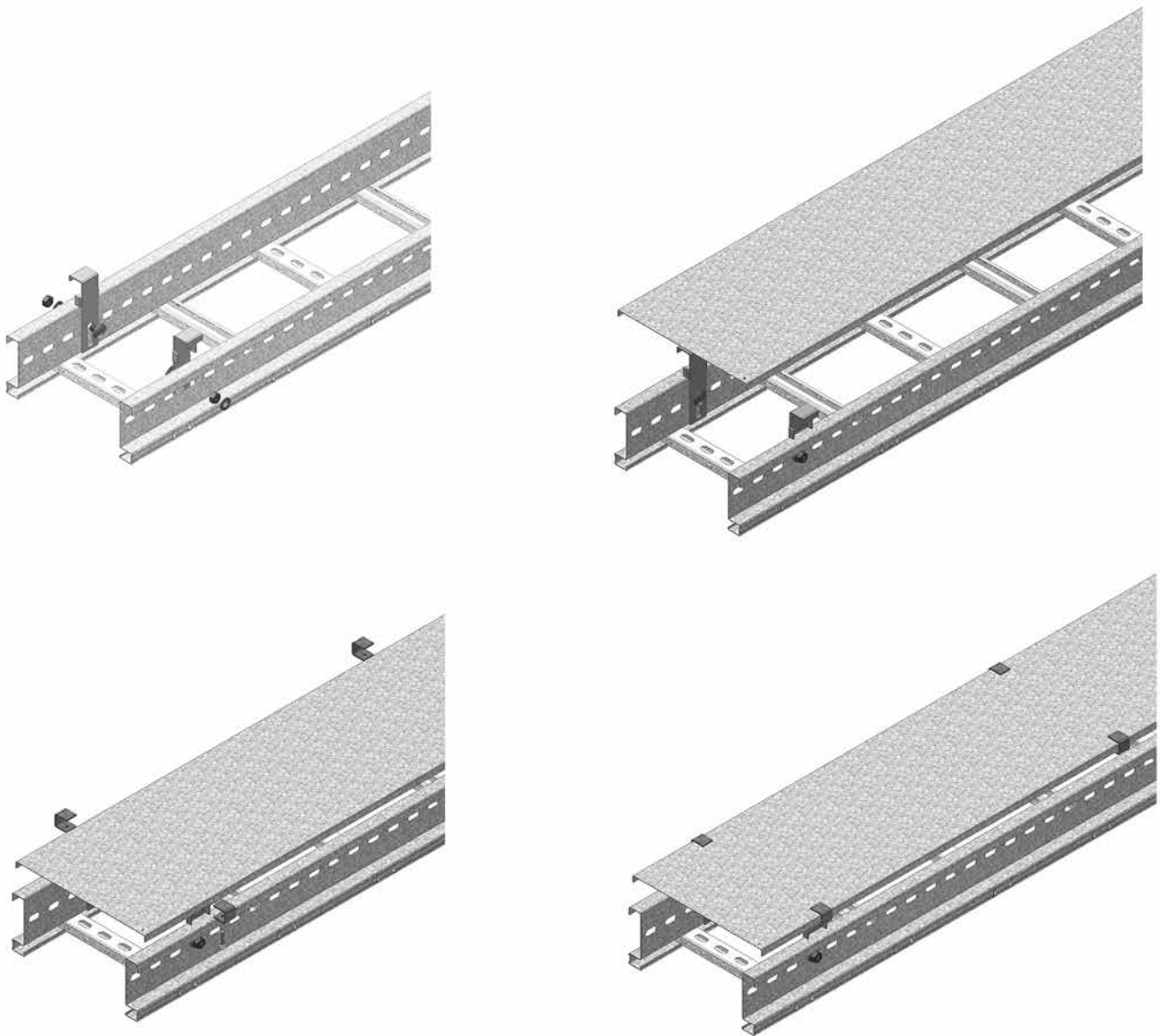
Fix with:

HD	RB6.20	-	-	M6	20	0.006	100		piece
HD	PNP06	-	-	M6	-	0.024	100	X	piece

Fixing set: 1 per meter.

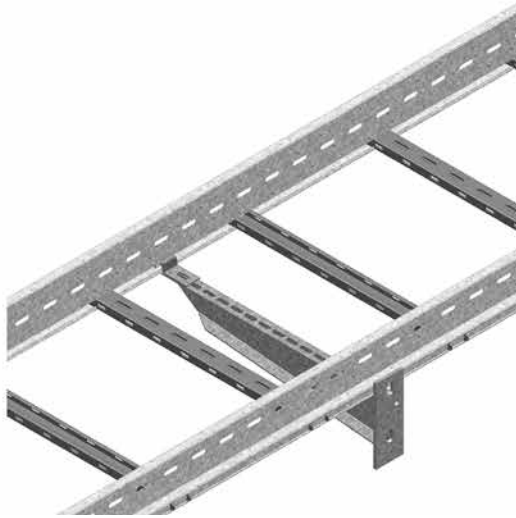
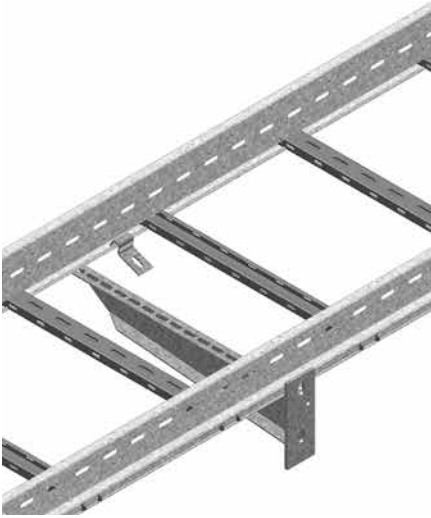
KLMZWABD

Technical information



KLMZWBK

Technical information

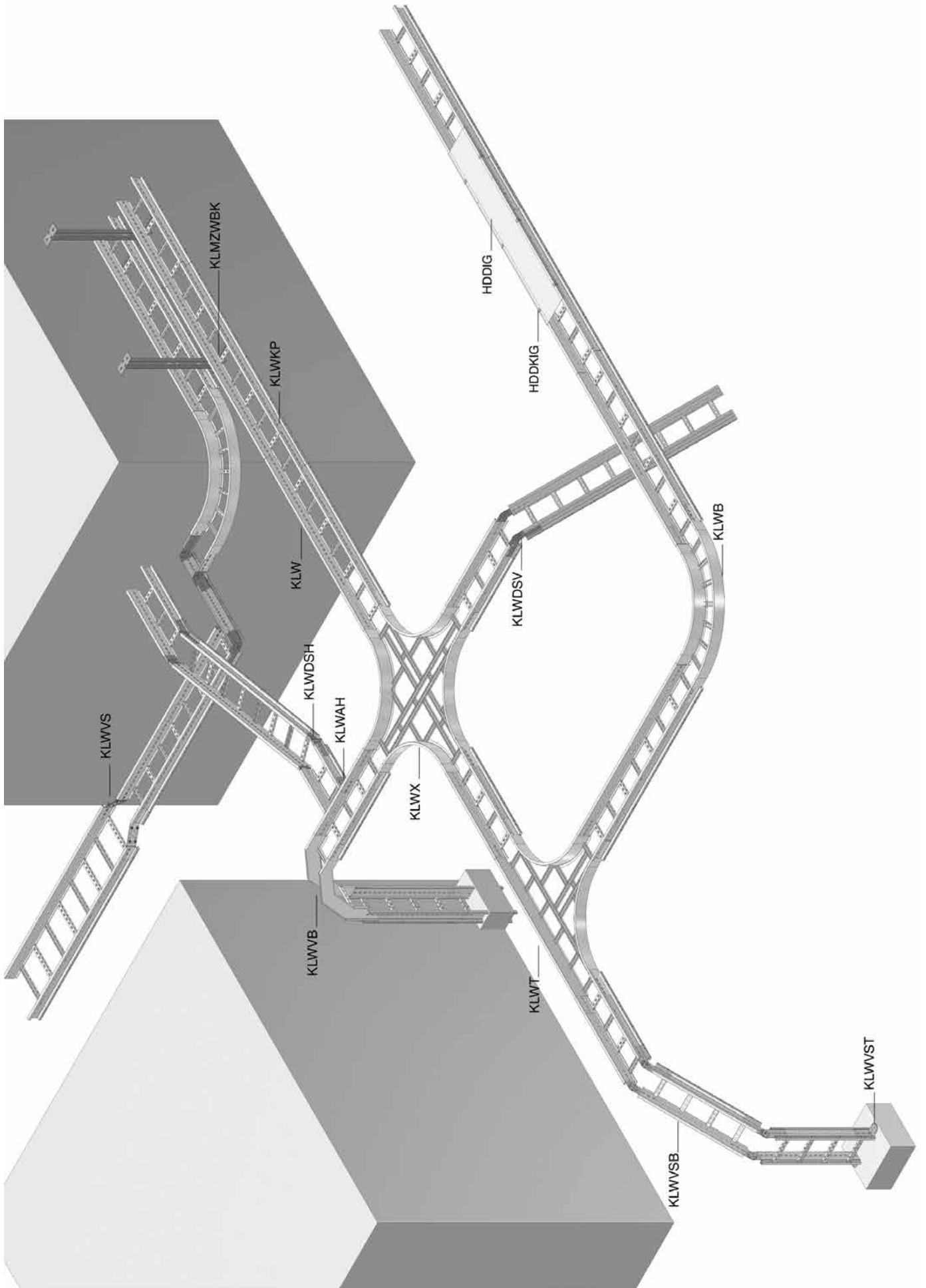


4 Cable ladders



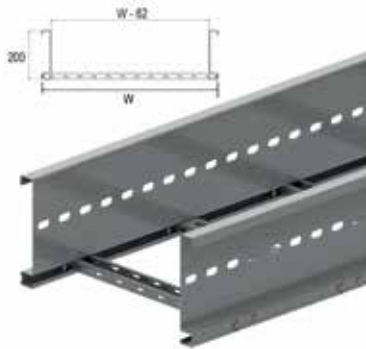
KLW





KLW

Cable ladder height 200



Cable ladder for large support distances up to 9 metres
Perforated C rungs 41x21

Usable inner height	177 mm
Rung distance	250 mm
To order	length 3000 mm or 9000 mm
To order	width 700 - 1200 mm (increments of 100 mm)
Standard finish	Pre-galvanised
Optional finish	Hot-dip galvanised
Optional finish PE	Coating

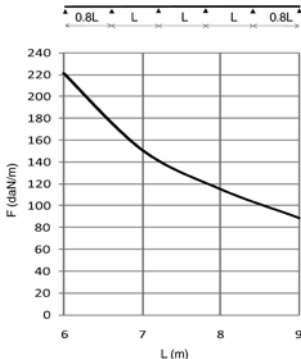
HD	Reference	↑ mm	↔ mm	→ mm	↔ mm	kg/m	📦	Stock	Unit
HD	KLW200	200	218	2.00	6000	10.020	36		m
HD	KLW300	200	318	2.00	6000	10.340	36		m
HD	KLW400	200	418	2.00	6000	10.660	36		m
HD	KLW500	200	518	2.00	6000	10.980	36		m
HD	KLW600	200	618	2.00	6000	11.310	36		m
HD	KLW800	200	818	2.00	6000	12.000	36		m
HD	KLW1000	200	1018	2.00	6000	12.640	36		m

Fix with:

HD	KLWKP	170	25	-	-	4.332	6		piece
HD	RBK12.20	-	-	M12	-	0.052	100	X	piece
HD	RM12	-	-	M12	-	0.021	100		piece

LOAD DIAGRAM

Graph valid for KLW. This diagram illustrates the permissible uniformly distributed horizontal loads applied to multiple supports. They comply with IEC 61537



F = max. admissible load (daN/m)

L = support distance (m)

Max. deflection (m) = L/200

CHARACTERISTICS

- strong
- useable inner height 177 mm, ideal for large diameter cables
- no further coupling holes are required if the cable ladder is cut
- no joiners are required to attach accessories such as bends, tees etc.
- rungs are perforated to enable efficient attachment of cables
- partition (SLOS110) can be fixed to the cable ladder with a sliding nut (PNP06) and pan head bolt (RB6.20).

TECHNICAL INFORMATION

- Side walls are constructed from S profile with a return flange and are continuously perforated
- C-profile rungs are fixed at 250 mm intervals.
- rungs are mechanically attached to the side wall of the cable ladder.
- rungs are alternately placed with openings upwards and downwards.

ZMDIG

Industrial cover



Standard finish

zinc magnesium

Optional finish PE

Duplex system

HD	Reference	↓ mm	↔ mm	↔ mm	↔ mm	kg/m	📦	Stock	Unit
-	ZMDIG200	15	223		2000	1.850	2		m
-	ZMDIG300	15	323		2000	2.650	2		m
-	ZMDIG400	15	423		2000	4.100	2		m
-	ZMDIG500	15	523		2000	5.050	2		m
-	ZMDIG600	15	623		2000	5.950	2		m

Fix with:

HDDKIG	-	-	-	-	0.030	20	X	piece
---------------	---	---	---	---	-------	----	---	-------

Covers with width > 400 mm are delivered with diagonal reinforcements.

HDDKIG

Cover clamp



Number: 2 pieces per metre.

Standard finish

Hot-dip galvanised

Optional finish PE

Duplex system

Reference	↓ mm	↔ mm	↔ mm	↔ mm	kg/ piece	📦	Stock	Unit
HDDKIG	-			-	0.030	20	X	piece

To order per full packaging.

Included: Bolt HDB6.30.

KLMZWABD

Distance bracket for cover



Number: 2 pieces per metre.

Standard finish

Pre-galvanised

Optional finish

Hot-dip galvanised

Optional finish PE

Coating

HD	Reference	↓ mm	↔ mm	↔ mm	↔ mm	kg/ piece	📦	Stock	Unit
HD	KLMZWABD	155	40		34	0.187	4		piece

Fix with:

HD	RBK12.20	-	-	M12	20	0.052	100	X	piece
HD	RM12	-	-	M12	-	0.021	100		piece

The technical information for this product can be found at the end of this chapter.

To order per full packaging.

KLWB

Horizontal bend for KLW



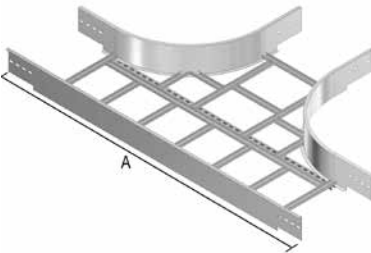
Radius	600 mm
Standard finish	Pre-galvanised
Optional finish	Hot-dip galvanised
Optional finish PE	Coating

HD	Reference	↕ mm	↔ mm	→ ← mm	↔ mm	kg/ piece	📦	Stock	Unit
HD	KLWB200	200	208		-	9.675	1		piece
HD	KLWB300	200	308		-	10.687	1		piece
HD	KLWB400	200	408		-	11.698	1		piece
HD	KLWB500	200	508		-	12.709	1		piece
HD	KLWB600	200	608		-	13.721	1		piece
Fix with:									
HD	RBK12.20	-	-	M12	20	0.052	100	X	piece
HD	RM12	-	-	M12	-	0.021	100		piece

Minimum number bolts and nuts : 8 pieces.

KLWT

T-piece for KLW



Radius	600 mm
Standard finish	Pre-galvanised
Optional finish	Hot-dip galvanised
Optional finish PE	Coating

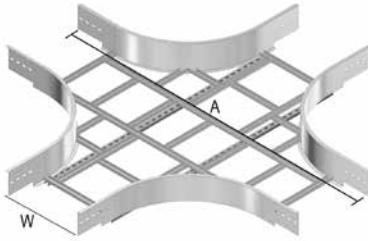
	200	300	400	500	600
A	1962	2062	2162	2262	2362

HD	Reference	↕ mm	↔ mm	→ ← mm	↔ mm	kg/ piece	📦	Stock	Unit
HD	KLWT200	200	208		-	15.996	1		piece
HD	KLWT300	200	308		-	17.012	1		piece
HD	KLWT400	200	408		-	18.029	1		piece
HD	KLWT500	200	508		-	19.045	1		piece
HD	KLWT600	200	608		-	20.059	1		piece
Fix with:									
HD	RBK12.20	-	-	M12	20	0.052	100	X	piece
HD	RM12	-	-	M12	-	0.021	100		piece

Minimum number bolts and nuts : 12 pieces.

KLWX

Cross-over for KLW



Radius	600 mm
Standard finish	Pre-galvanised
Optional finish	Hot-dip galvanised
Optional finish PE	Coating

	200	300	400	500	600
A	1962	2062	2162	2262	2362

HD	Reference	↓ mm	↔ mm	↔ mm	↔ mm	kg/ piece	📦	Stock	Unit
HD	KLWX200	200	208		-	18.791	1		piece
HD	KLWX300	200	308		-	21.636	1		piece
HD	KLWX400	200	408		-	22.754	1		piece
HD	KLWX500	200	508		-	23.823	1		piece
HD	KLWX600	200	608		-	24.891	1		piece

Fix with:

HD	RBK12.20	-	-	M12	20	0.052	100	X	piece
HD	RM12	-	-	M12	-	0.021	100		piece

Minimum number bolts and nuts : 16 pieces.

KLWVB

External riser for KLW



Radius	600 mm
Standard finish	Pre-galvanised
Optional finish	Hot-dip galvanised
Optional finish PE	Coating

HD	Reference	↓ mm	↔ mm	↔ mm	↔ mm	kg/ piece	📦	Stock	Unit
HD	KLWVB200	200	208		-	7.480	1		piece
HD	KLWVB300	200	308		-	7.810	1		piece
HD	KLWVB400	200	408		-	8.140	1		piece
HD	KLWVB500	200	508		-	8.470	1		piece
HD	KLWVB600	200	608		-	8.800	1		piece

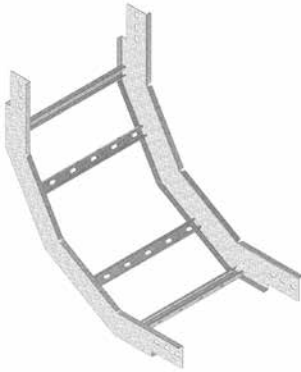
Fix with:

HD	RBK12.20	-	-	M12	20	0.052	100	X	piece
HD	RM12	-	-	M12	-	0.021	100		piece

Minimum number bolts and nuts : 8 pieces.

KLWSB

Internal riser for KLV



Radius	600 mm
Standard finish	Pre-galvanised
Optional finish	Hot-dip galvanised
Optional finish PE	Coating

HD	Reference	↕ mm	↔ mm	↔ mm	↔ mm	kg/ piece	📦	Stock	Unit
HD	KLWSB200	200	208		-	8.000	1		piece
HD	KLWSB300	200	308		-	8.330	1		piece
HD	KLWSB400	200	408		-	8.660	1		piece
HD	KLWSB500	200	508		-	8.990	1		piece
HD	KLWSB600	200	608		-	9.320	1		piece
Fix with:									
HD	RBK12.20	-	-	M12	20	0.052	100	X	piece
HD	RM12	-	-	M12	-	0.021	100		piece

Minimum number bolts and nuts : 8 pieces.

KLWVSB

Flexible (rising / low) bend for KLV



Standard finish	Pre-galvanised
Optional finish	Hot-dip galvanised
Optional finish PE	Coating

HD	Reference	↕ mm	↔ mm	↔ mm	↔ mm	kg/ piece	📦	Stock	Unit
HD	KLWVSB200	200	218		1175	19.060	1		piece
HD	KLWVSB300	200	318		1175	19.380	1		piece
HD	KLWVSB400	200	418		1175	19.700	1		piece
HD	KLWVSB500	200	518		1175	20.020	1		piece
HD	KLWVSB600	200	618		1175	20.350	1		piece
Fix with:									
HD	RBK12.20	-	-	M12	20	0.052	100	X	piece
HD	RM12	-	-	M12	-	0.021	100		piece

Minimum number bolts and nuts : 8 pieces.

KLWAH

Horizontal branch hook for KLW



Slides in the C-opening of the sidewalls .

Standard finish	Pre-galvanised
Optional finish	Hot-dip galvanised
Optional finish PE	Coating

HD	Reference	↓ mm	↔ mm	→ ← mm	↔ mm	kg/ piece	📦	Stock	Unit
HD	KLWAH	169	169		200	1.370	2		piece

Fix with:

HD	RBK12.20	-	-	M12	20	0.052	100	X	piece
HD	RM12	-	-	M12	-	0.021	100		piece

To order per full packaging.

Minimum number bolts and nuts : 4 pieces.

KLWAHV

Vertical branch hook for KLW



Standard finish	Pre-galvanised
Optional finish	Hot-dip galvanised
Optional finish PE	Coating

HD	Reference	↓ mm	↔ mm	→ ← mm	↔ mm	kg/ piece	📦	Stock	Unit
HD	KLWAHV	169	27		340	1.370	2		piece

Fix with:

HD	RBK12.20	-	-	M12	20	0.052	100	X	piece
HD	RM12	-	-	M12	-	0.021	100		piece

To order per full packaging.

Minimum number bolts and nuts: 3 pieces.

KLWDSH

Horizontal hinged joiner for KLW



Premounted with B10.20

Standard finish	Pre-galvanised
Optional finish	Hot-dip galvanised
Optional finish PE	Coating

HD	Reference	↓ mm	↔ mm	→ ← mm	↔ mm	kg/ piece	📦	Stock	Unit
HD	KLWDSH	169	25		330	1.070	2		piece

Fix with:

HD	RBK12.20	-	-	M12	20	0.052	100	X	piece
HD	RM12	-	-	M12	-	0.021	100		piece

To order per full packaging.

Minimum number bolts and nuts: 4 pieces.

KLWDSV

Vertical hinged joiner for KLW



Premounted with B12.20.

Standard finish	Pre-galvanised
Optional finish	Hot-dip galvanised
Optional finish PE	Coating

HD	Reference	↑ mm	↔ mm	→ ← mm	↔ mm	kg/ piece	📦	Stock	Unit
HD	KLWDSV	169	20		434	2.260	2		piece

Fix with:									
HD	RBK12.20	-	-	M12	20	0.052	100	X	piece
HD	RM12	-	-	M12	-	0.021	100		piece

To order per full packaging.
Minimum number bolts and nuts: 4 pieces.

KLWVST

Floor Support for KLW



Standard finish	Pre-galvanised
Optional finish	Hot-dip galvanised
Optional finish PE	Coating

HD	Reference	↑ mm	↔ mm	→ ← mm	↔ mm	kg/ piece	📦	Stock	Unit
HD	KLWVST	169	150		150	1.130	2		piece

Fix with:									
HD	RBK12.20	-	-	M12	20	0.052	100	X	piece
HD	RM12	-	-	M12	-	0.021	100		piece

To order per full packaging.
Minimum number bolts and nuts: 2 pieces.

KLWVS

Reducing plate for KLW



Max. reduction of 300mm

Standard finish	Pre-galvanised
Optional finish	Hot-dip galvanised
Optional finish PE	Coating

HD	Reference	↑ mm	↔ mm	→ ← mm	↔ mm	kg/ piece	📦	Stock	Unit
HD	KLWVS	170	20		500	2.060	1		piece

Fix with:									
HD	RBK12.20	-	-	M12	20	0.052	100	X	piece
HD	RM12	-	-	M12	-	0.021	100		piece

Minimum number bolts and nuts: 4 pieces.

KLMZWAB

Stand-off bracket



Used for vertical mounting of the cable ladder.

Standard finish	Electro zinc-plated
Optional finish	Hot-dip galvanised
Optional finish PE	Coating

HD	Reference	↑ mm	↔ mm	→ ← mm	↔ mm	kg/ piece	📦	Stock	Unit
HD	KLMZWAB	170	50		61	0.304	4		piece

Fix with:

HD	RBK12.20	-	-	M12	20	0.052	100	X	piece
HD	RM12	-	-	M12	-	0.021	100		piece

To order per full packaging.

Minimum number bolts and nuts: 1 piece.

KLMZWBK

Bracket clamp



For fixing cable ladder to a wall bracket.
2 pieces per bracket.

Standard finish	Pre-galvanised
Optional finish	Hot-dip galvanised
Optional finish PE	Coating

HD	Reference	↑ mm	↔ mm	→ ← mm	↔ mm	kg/ piece	📦	Stock	Unit
HD	KLMZWBK25	20	25		-	0.051	20	X	piece
HD	KLMZWBK40	20	40		-	0.125	20	X	piece

The technical information for this product can be found at the end of this chapter.

To order per full packaging.

KLMZWBK25: Bolt B6.20 and nuts RM6 included.

KLMZWBK40: Bolt B8.20 and nuts PNP08 included.

- 25 for cantilevers

- 40 for profiles 41

DOPKLW

End cap for KLW



Color	Yellow
Standard finish	Polyvinyl chloride

HD	Reference	↑ mm	↔ mm	→ ← mm	↔ mm	kg/ piece	📦	Stock	Unit
-	DOPKLW	200			-	0.046	12		piece

To order per full packaging.

KLWKP

Joiner for KLV



Standard finish	Pre-galvanised
Optional finish	Hot-dip galvanised
Optional finish PE	Coating

HD	Reference	↑ mm	↔ mm	→ ← mm	↔ mm	kg/ piece	📦	Stock	Unit
HD	KLWKP	170	25		900	4.332	6		piece

Fix with:									
HD	RBK12.20	-	-	M12	20	0.052	100	X	piece
HD	RM12	-	-	M12	-	0.021	100		piece

KLWKP To order per full packaging.
Minimum number bolts and nuts : 4 pieces.

BP

Floor plate



Standard finish	Pre-galvanised
Optional finish	Hot-dip galvanised
Optional finish PE	Coating

HD	Reference	↑ mm	↔ mm	→ ← mm	↔ mm	kg/m	📦	Stock	Unit
HD	BP200	25	141		3000	1.560	3		m
HD	BP300	25	241		3000	2.400	3		m
HD	BP400	25	341		3000	3.230	3		m
HD	BP500	25	441		3000	4.030	3		m
HD	BP600	25	541		3000	4.860	3		m

Fix with:									
HD	RB6.20	-	-	M6	20	0.006	100		piece
HD	PNS06	-	-	M6	-	0.031	100	X	piece

SLOS

Partition



Standard finish

Pre-galvanised

Optional finish

zinc magnesium

Optional finish PE

Coating

HD	Reference	↓ mm	↔ mm	↔ mm	↔ mm	kg/m	📦	Stock	Unit
-	SLOS35	28			3000	0.330	150	X	m
-	SLOS60	53			3000	0.511	120	X	m
-	SLOS85	78			3000	0.680	60	X	m
-	SLOS110	103			3000	0.820	30	X	m
-	ZMSLOS35	28			3000	0.257	150	X	m
-	ZMSLOS60	60			3000	0.397	120	X	m
-	ZMSLOS85	78			3000	0.529	60		m
-	ZMSLOS110	103			3000	0.638	30	X	m

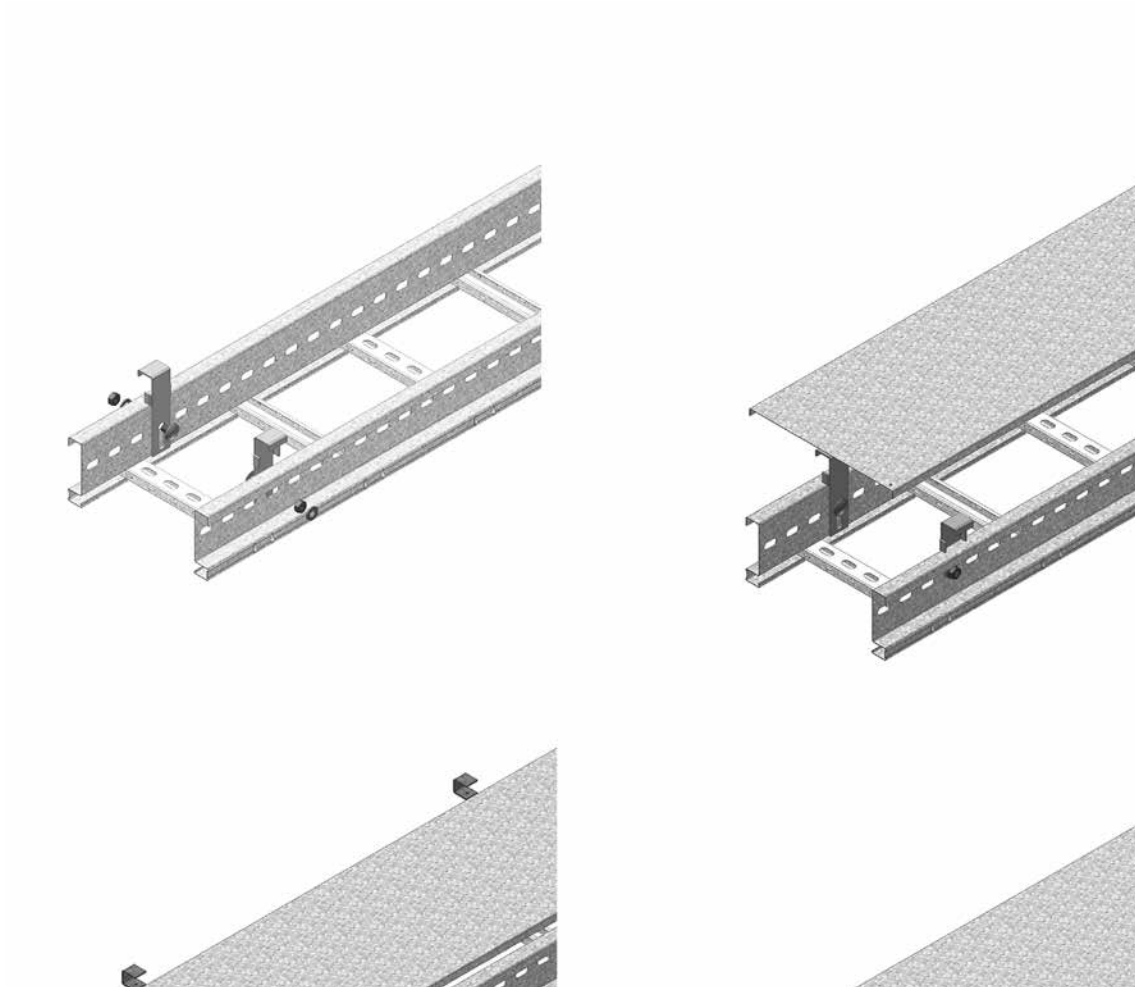
Fix with:

HD	RB6.20	-	-	M6	20	0.006	100		piece
HD	PNP06	-	-	M6	-	0.024	100	X	piece

Fixing set: 1 per meter.

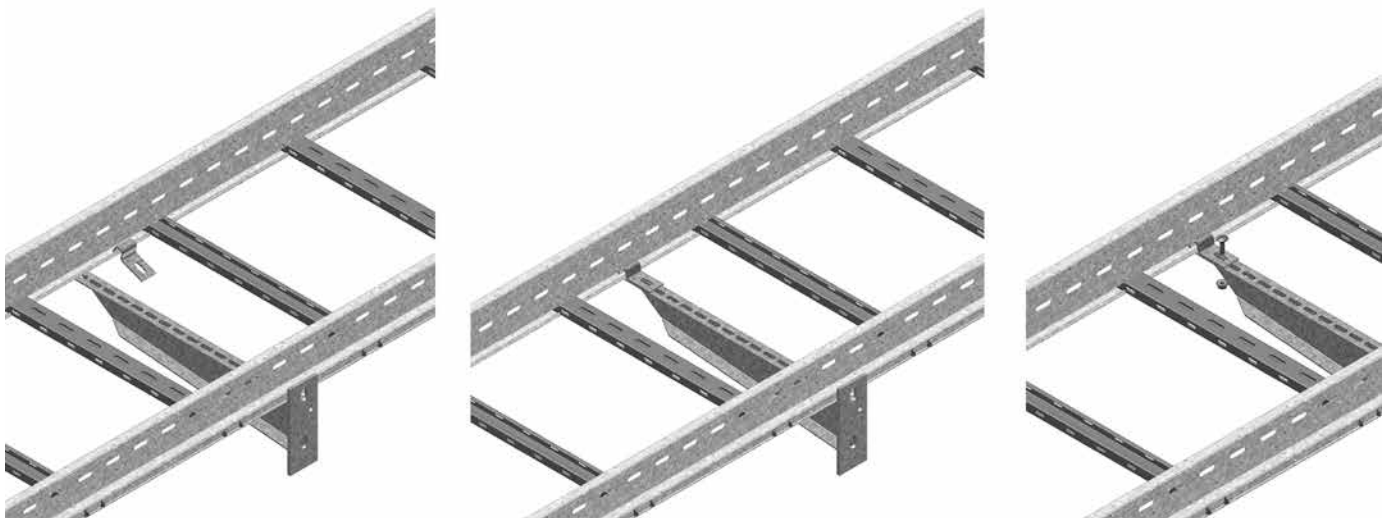
KLMZWABD

Technical information



KLMZWBK

Technical information



4 Cable ladders



Profielklemmen

HDH1

Cable clamp



Applicable for ladders with KL / HDKS / KLL.

Max. load 1700 N

Standard finish Hot-dip galvanised

Reference	↑ mm	↔ mm	→ ← mm	↔ mm	kg/ piece	📦	Stock	Unit
HDY1198	-	12		-	0.030	50	X	piece
HDY1199	-	16		-	0.030	50	X	piece
HDY1200	-	20		-	0.040	50	X	piece
HDY1201	-	24		-	0.040	50	X	piece
HDY1202	-	28		-	0.040	50	X	piece
HDY1203	-	32		-	0.060	50	X	piece
HDY1204	-	36		-	0.070	50	X	piece
HDY1205	-	40		-	0.080	50	X	piece
HDY1206	-	44		-	0.090	50	X	piece
HDY1207	-	48		-	0.100	50	X	piece
HDY1208	-	52		-	0.100	50	X	piece
HDY1209	-	56		-	0.110	50	X	piece
HDY1210	-	60		-	0.140	50	X	piece
HDY1211	-	64		-	0.160	50	X	piece
HDY1212	-	70		-	0.160	50	X	piece

Applicable in case of C-rungs 15x30, for fixing 1 cable.

Not suitable for SKL60.

To order per 50 pieces.

HDRU1

Cable clamp



Applicable for ladders with HDKLIE, SKL, HDKSR, KLM, KLZ, KLW.

Max. load 1700 N

Standard finish Hot-dip galvanised

Reference	↑ mm	↔ mm	→ ← mm	↔ mm	kg/ piece	📦	Stock	Unit
HDY2186	-	14		-	0.040	50	X	piece
HDY2187	-	20		-	0.050	50	X	piece
HDY2188	-	26		-	0.060	50	X	piece
HDY2189	-	32		-	0.090	50	X	piece
HDY2190	-	38		-	0.100	50	X	piece
HDY2191	-	44		-	0.110	50	X	piece
HDY2192	-	52		-	0.160	50	X	piece
HDY2193	-	60		-	0.160	50	X	piece
HDY2194	-	70		-	0.180	50	X	piece

Applicable in case of round rungs or C-rungs 41x21, for fixing 1 cable.

To order per 50 pieces.

HDH2

Cable clamp



Applicable for ladders with KL / HDKS / KLL.

Max. load 1700 N

Standard finish Hot-dip galvanised

Reference	↓ mm	↔ mm	→ ← mm	↔ mm	kg/ piece	📦	Stock	Unit
HDY1213	-	12		-	0.035	50	X	piece
HDY1214	-	16		-	0.040	50	X	piece
HDY1215	-	20		-	0.048	50	X	piece
HDY1216	-	24		-	0.053	50	X	piece
HDY1217	-	28		-	0.060	50	X	piece
HDY1218	-	32		-	0.089	50	X	piece
HDY1219	-	36		-	0.096	50	X	piece
HDY1220	-	40		-	0.108	50	X	piece
HDY1221	-	44		-	0.133	50	X	piece
HDY1223	-	52		-	0.152	50	X	piece
HDY1224	-	56		-	0.162	50	X	piece

Applicable in case of C-rungs 15x30, for fixing 2 cables.

Not suitable for SKL60.

To order per 50 pieces.

HDRU2

Cable clamp



Applicable for ladders with HDKLIE, SKL, HDKSR, KLM, KLZ, KLW.

Max. load 1700 N

Standard finish Hot-dip galvanised

Reference	↓ mm	↔ mm	→ ← mm	↔ mm	kg/ piece	📦	Stock	Unit
HDY2197	-	26		-	0.080	50	X	piece

Applicable in case of round rungs or C-rungs 41x21, for fixing 2 cables.

To order per 50 pieces.